

# Foxconn LDC MD1

## 845M05C ( 845GV / PE / GE ) Schematics

Fab B      Date: 2004/6/11

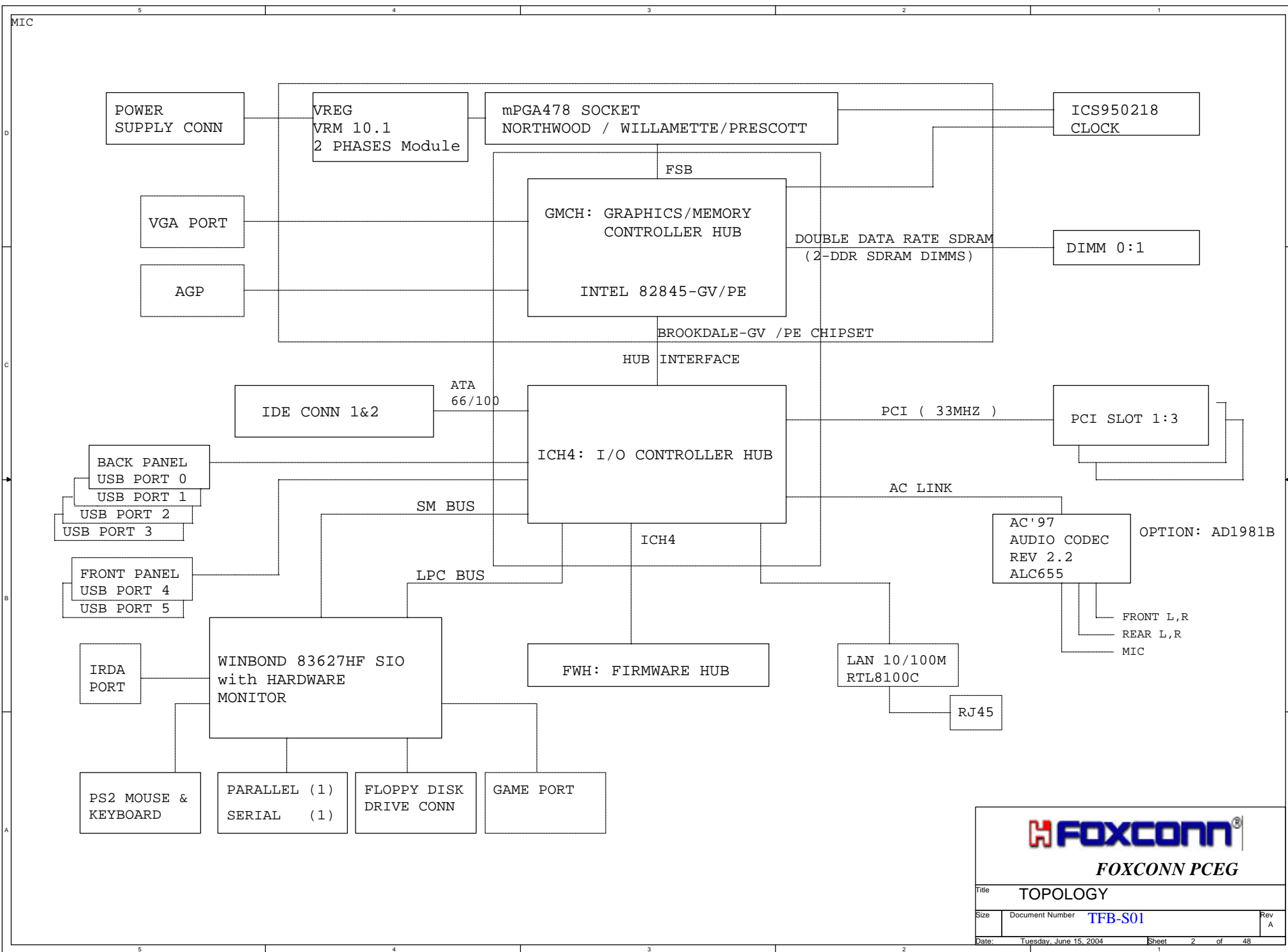
### PAGE INDEX

01	INDEX PAGE	25	FWH_ROM & RTC & SMB BUS
02	TOPOLOGY	26	PCI1&2 SLOT
03	RESET_MAP	27	PCI3 SLOT
04	CLK_DISTRIBUTION	28	PCI PULL HIGH&DOWN
05	POWER_DELIVERY_MAP	29	W83627HF
06	POWER LIST	30	RTL8100C
07	GPIO,IRQ,IDSEL MAPS	31	AC97 CODEC:ALC655
08	JUMPER&HEADER SETTING	32	IDE1,2
09	CPU_PART_1	33	PS/2
10	CPU_PART_2	34	PARALLEL PORT & COM1
11	CPU_PART_3	35	BEAR VGA PORT
12	845GV/PE HOST BUS	36	REAR USB & LAN
13	845GV/PE DDR BUS	37	AUDIO PORT
14	845GV/PE AGP&VGA	38	USB4,5 & COM2
15	845GV/PE(4) Power & CAP	39	FRONT PANEL & RESET
16	845GV/PE GROUND	40	FANS & SPK & IR
17	DDR SERIES RESISTOR	41	ATX POWER CONNECTOR
18	DDR1	42	VCCP
19	DDR2	43	VCCP CAP & VCC_VID
20	DDR TEMINATION	44	1D5V_SYS
21	AGP SLOT	45	2D5V_STR & VTT_DDR
22	ICH4 PART1	46	5V_DUAL & 3D3V_DUAL
23	ICH4 PART2	47	CLOCK GENERATOR
24	ICH4 PART3	48	MODIFY LIST



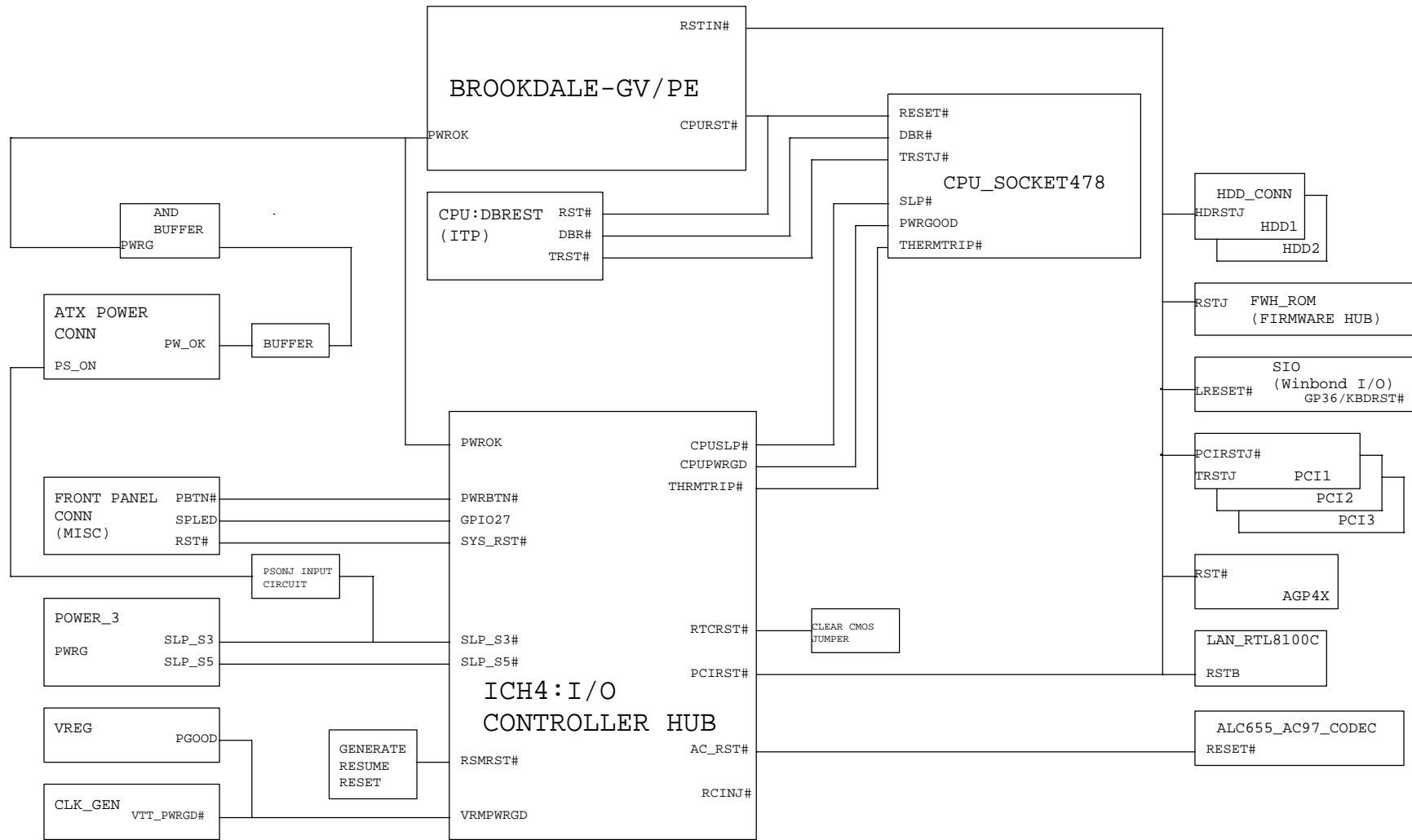
**FOXCONN PCEG**

Title			INDEX
Size	Document Number	Rev	
	845M05C	B	
Date:	Tuesday, June 15, 2004	Sheet	1 of 48



FOXCONN PCEG

Title			TOPOLOGY
Size	Document Number	TFB-S01	
		Sheet	2 of 48
Date:	Tuesday, June 15, 2004	Rev	A

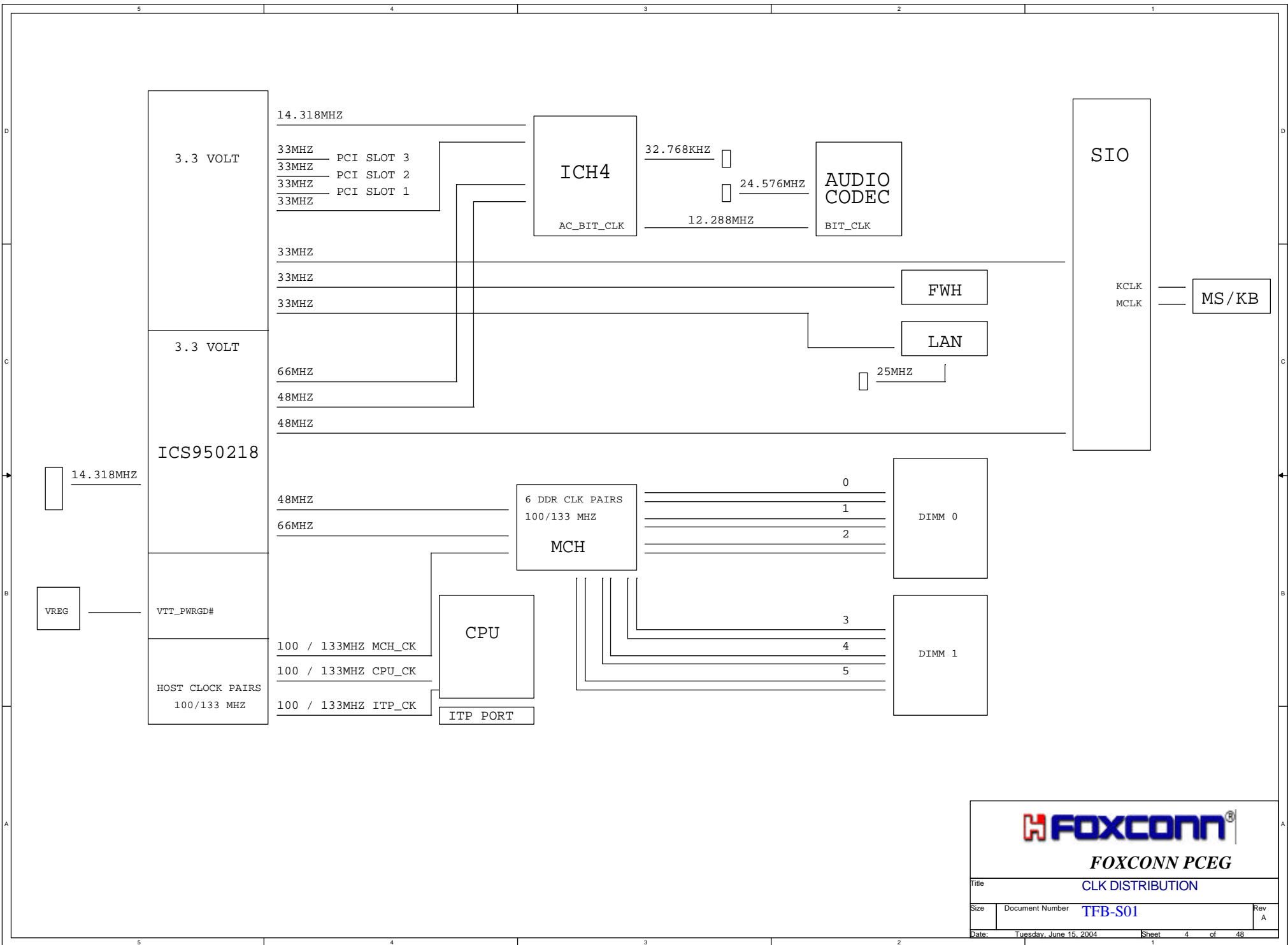


# RESET MAP

**FOXCONN®**

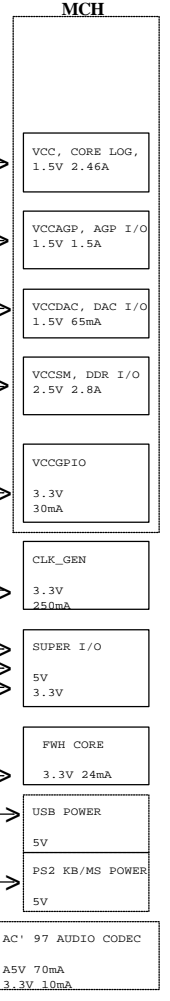
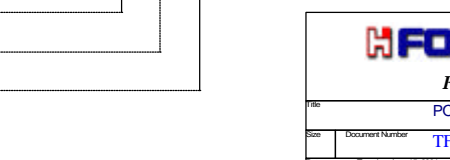
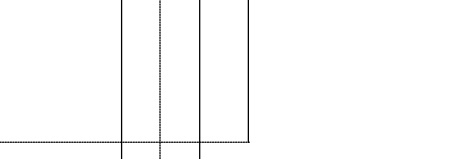
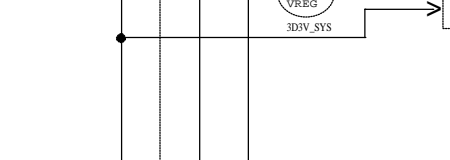
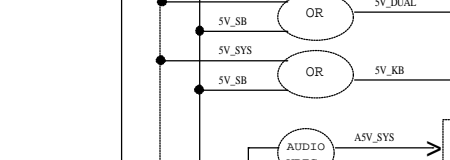
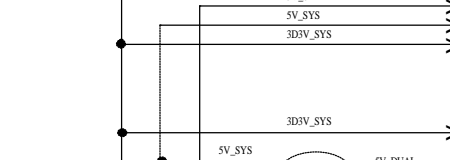
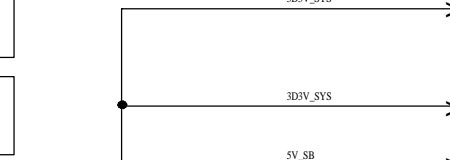
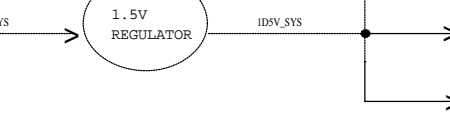
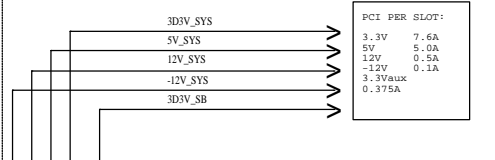
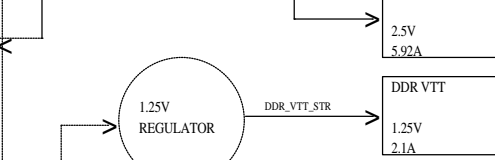
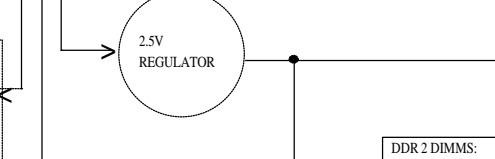
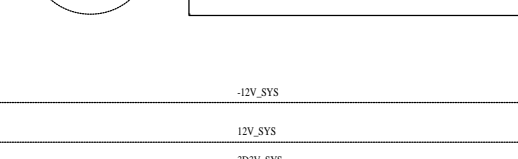
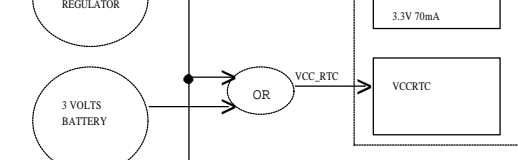
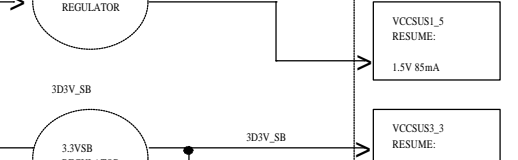
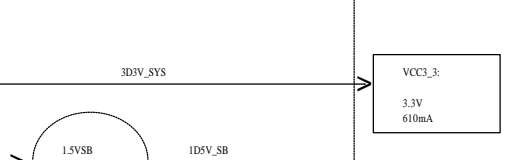
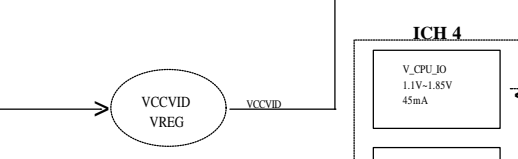
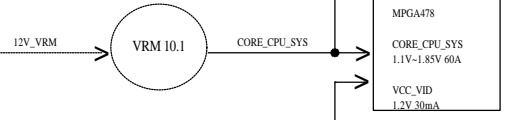
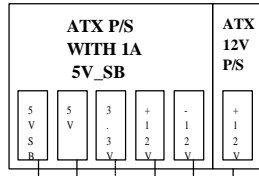
**FOXCONN PCEG**

Title: <b>RESET MAP</b>		
Size:	Document Number: <b>TFB-S01</b>	Rev: <b>A</b>
Date: <b>Tuesday, June 15, 2004</b>	Sheet: <b>3</b>	of <b>48</b>



**FOXCONN PCEG**

Title			
CLK DISTRIBUTION			
Size	Document Number	Rev	A
	TFB-S01		
Date:	Tuesday, June 15, 2004	Sheet	4 of 48
		1	



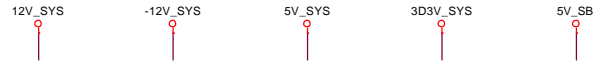
FOXCONN PCEG

POWER DELIVERY MAP

Doc No	Document Number	Rev	A
Doc No	TFB-S01	Rev	A

# ALL POWER

**By Power Supply:**



**By Regulator:**



**By Choke:**



**By Fuse:**



**By Feedbead:**



**By Feedbead:**

VDDA\_PCIE  
VDDA\_C1X  
VDDA\_C4X  
VDDA\_D1X  
VDDA\_D4X

**By JP:**

VSSA\_PCIE  
VSSA\_C1X  
VSSA\_C4X  
VSSA\_D1X  
VSSA\_D4X

# ALL GROUND

**By Power Supply:**



**By Feedbead or Resistor or JP:**



**FOXCONN PCEG**

Title			POWER LIST
Size	Document Number	TFB-S01	
		Rev	A
Date:	Tuesday, June 15, 2004	Sheet	6 of 48

5

4

3

2

1

D

D

C

C

B

B

A

A



**FOXCONN PCEG**

Title **GPIO MAP**

Size Document Number **TFB-S01**

Rev **A**

Date: **Tuesday, June 15, 2004** Sheet **7** of **48**

5

4

3

2

1

5

4

3

2

1

D

D

C

C

B

B

A

A



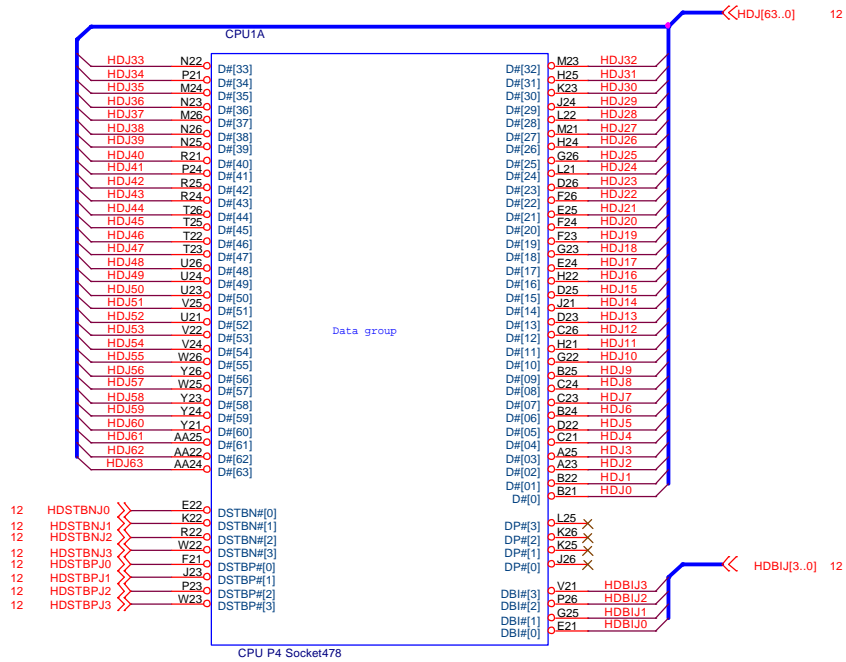
**FOXCONN PCEG**

Title **Jumper Setup**

Size	Document Number	<b>TFB-S01</b>	Rev	<b>A</b>
------	-----------------	----------------	-----	----------

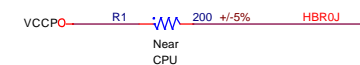
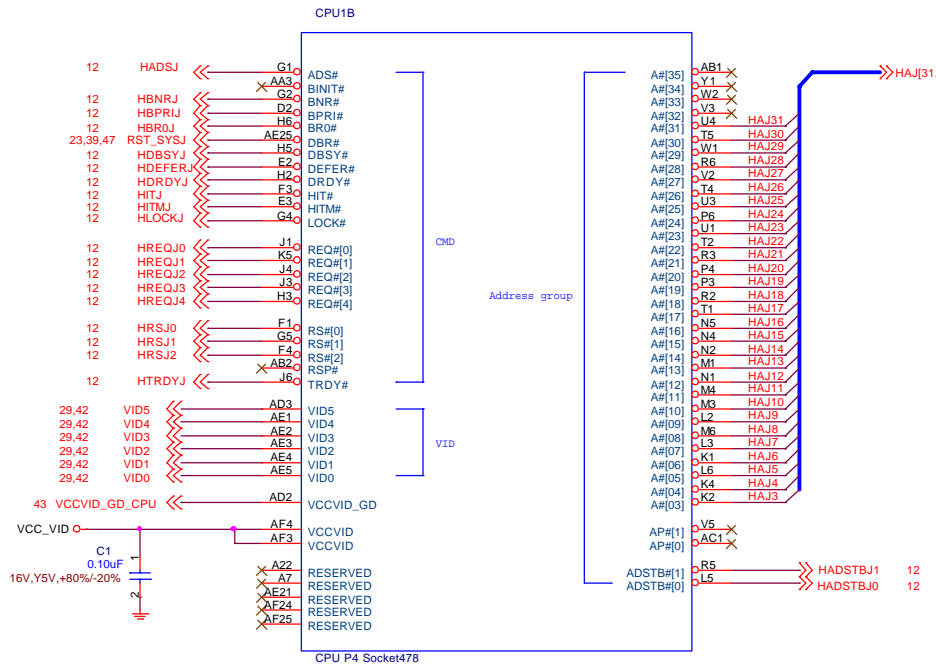
Date: **Tuesday, June 15, 2004** Sheet **1** of **8** of **48**





HDJ[63..0] 12

HDBIJ[3..0] 12



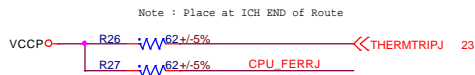
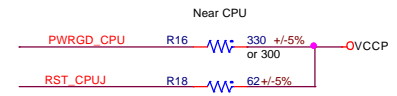
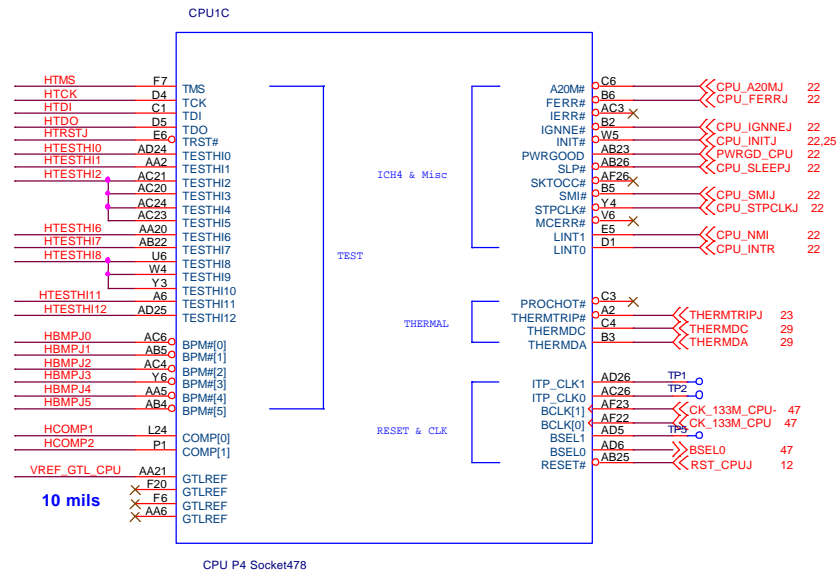
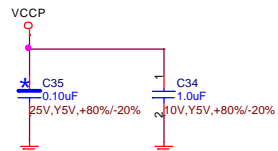
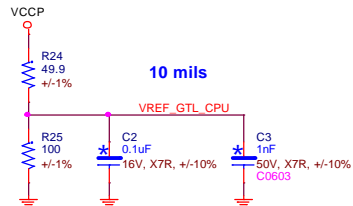
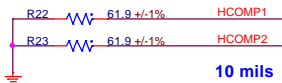
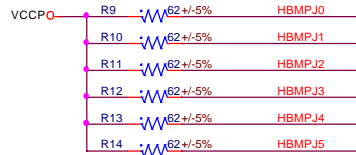
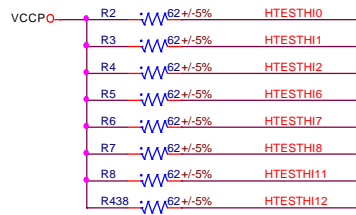
HADSTB1 12  
HADSTB0 12

**FOXCONN PCEG**

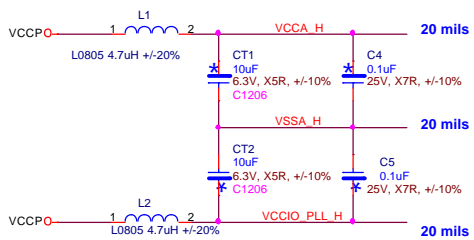
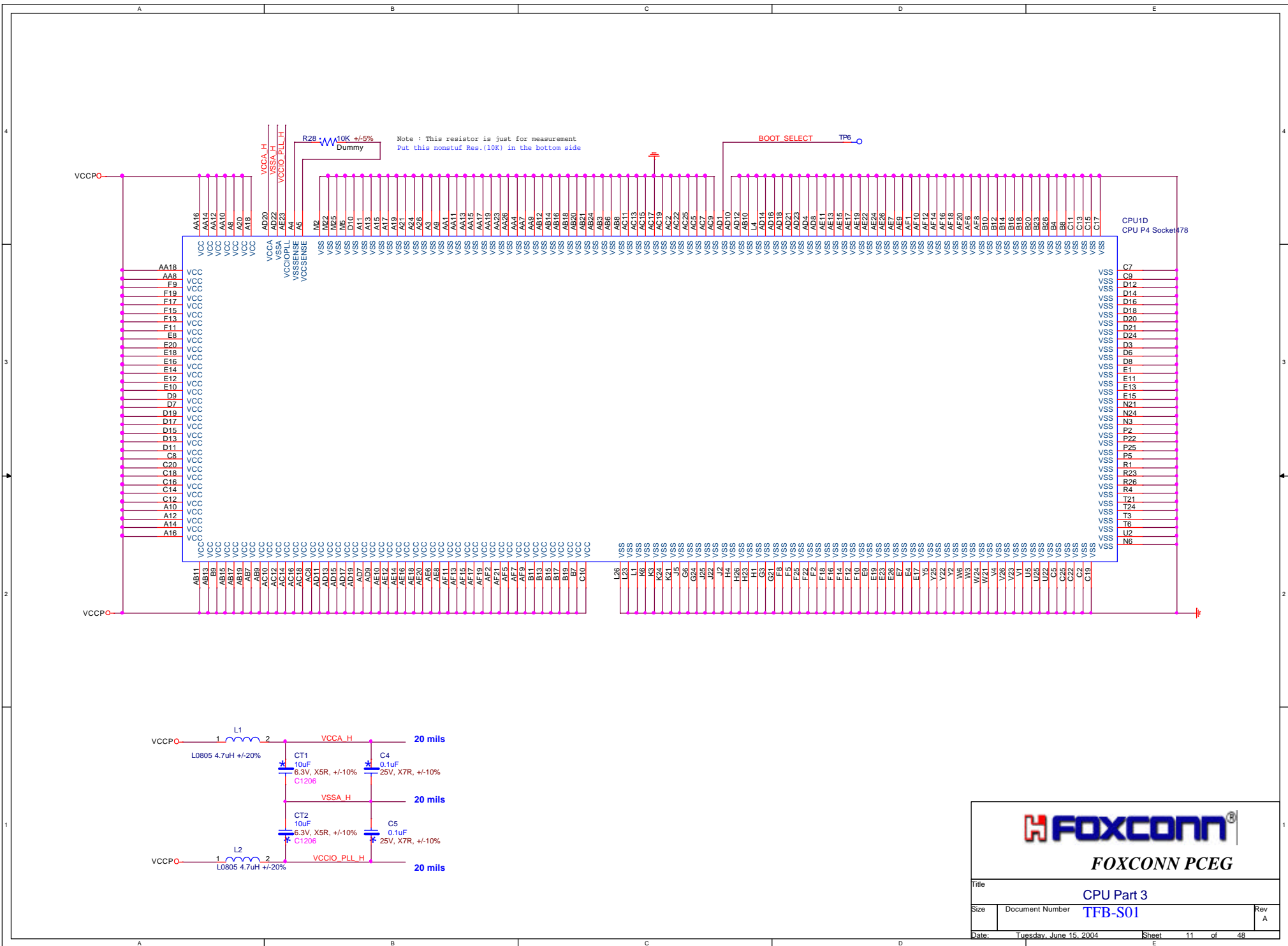
Title: CPU Part 1

Size: Document Number TFB-S01 Rev A

Date: Tuesday, June 15, 2004 Sheet 9 of 48



Title			Rev
CPU Part 2			A
Size	Document Number	TFB-S01	
Date:	Tuesday, June 15, 2004	Sheet	10 of 48



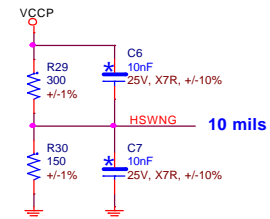
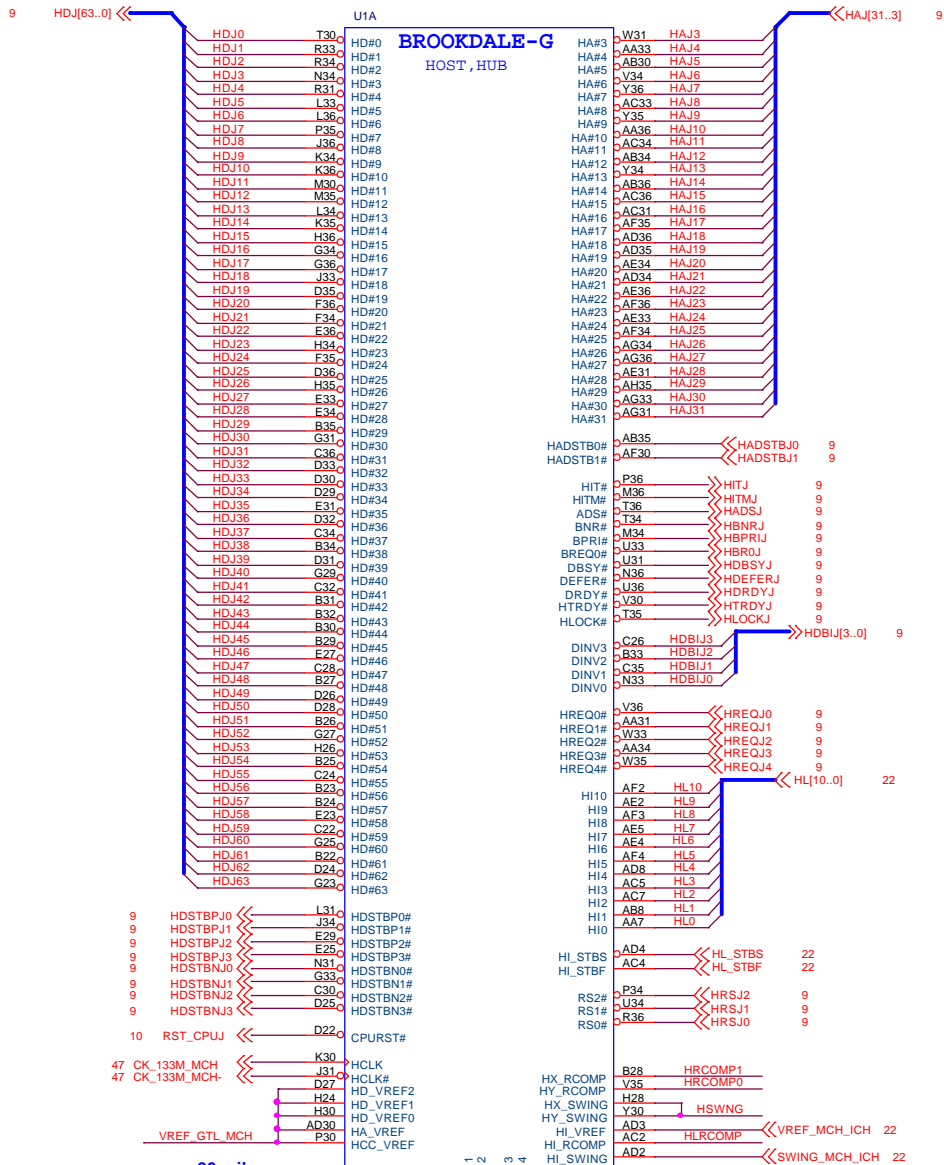
**FOXCONN®**

**FOXCONN PCEG**

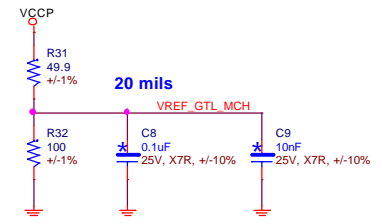
Title: **CPU Part 3**

Size: Document Number **TFB-S01** Rev A

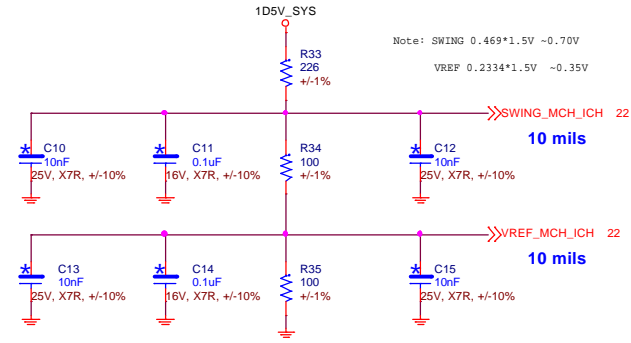
Date: Tuesday, June 15, 2004 Sheet 11 of 48



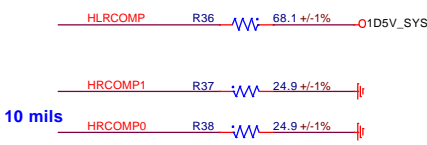
Note : HSWNG voltage 12 mils trace, 10 mils space, max length 3". Place 0.01uF capacitor near MCH



Note : 12 mils trace, 10 mils space, max. length 3" CAP should be placed near MCH pin 2/3 core\_cpu\_sys

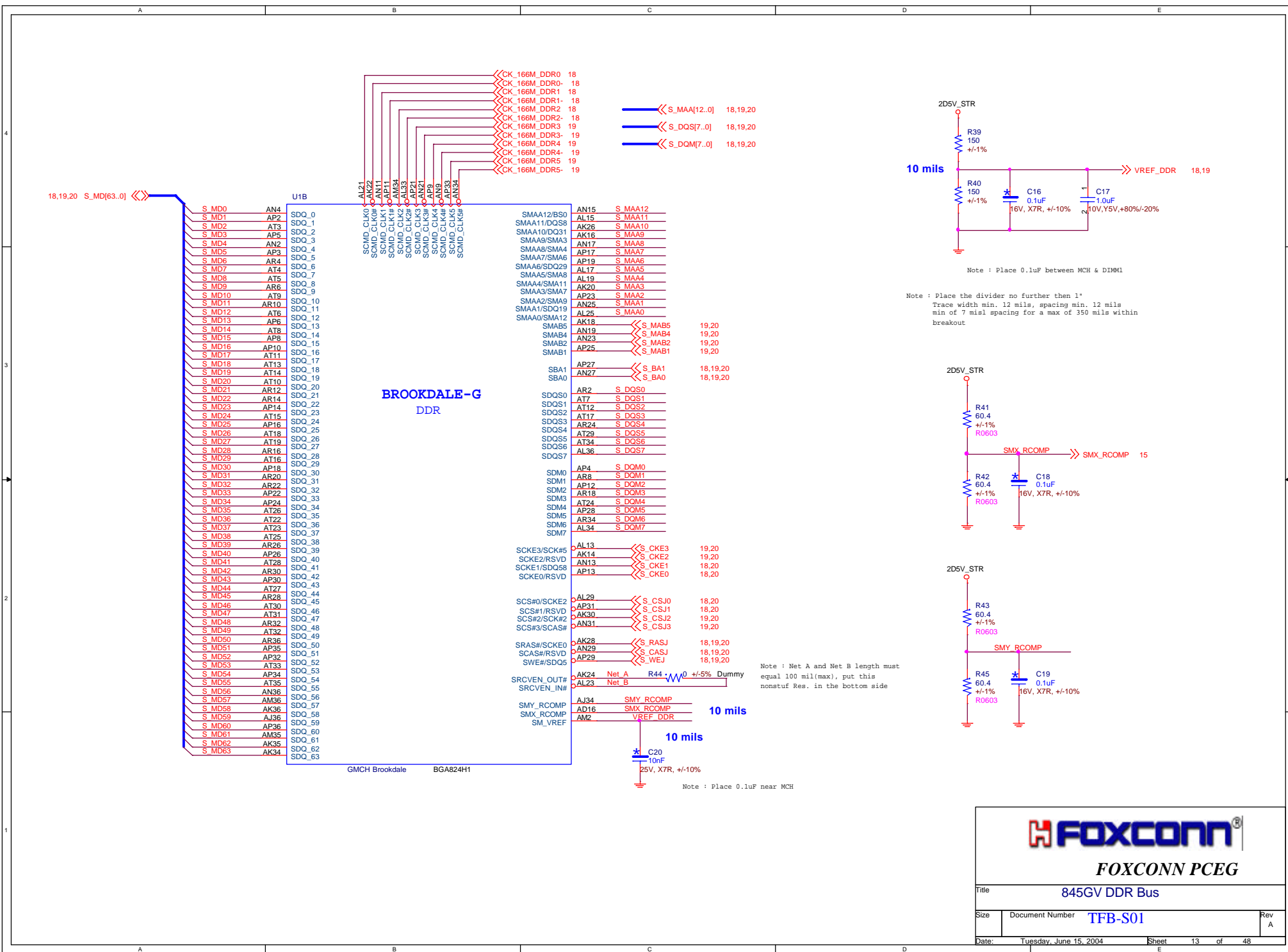


Note: SWING 0.469\*1.5V ~0.70V VREF 0.2334\*1.5V ~0.35V



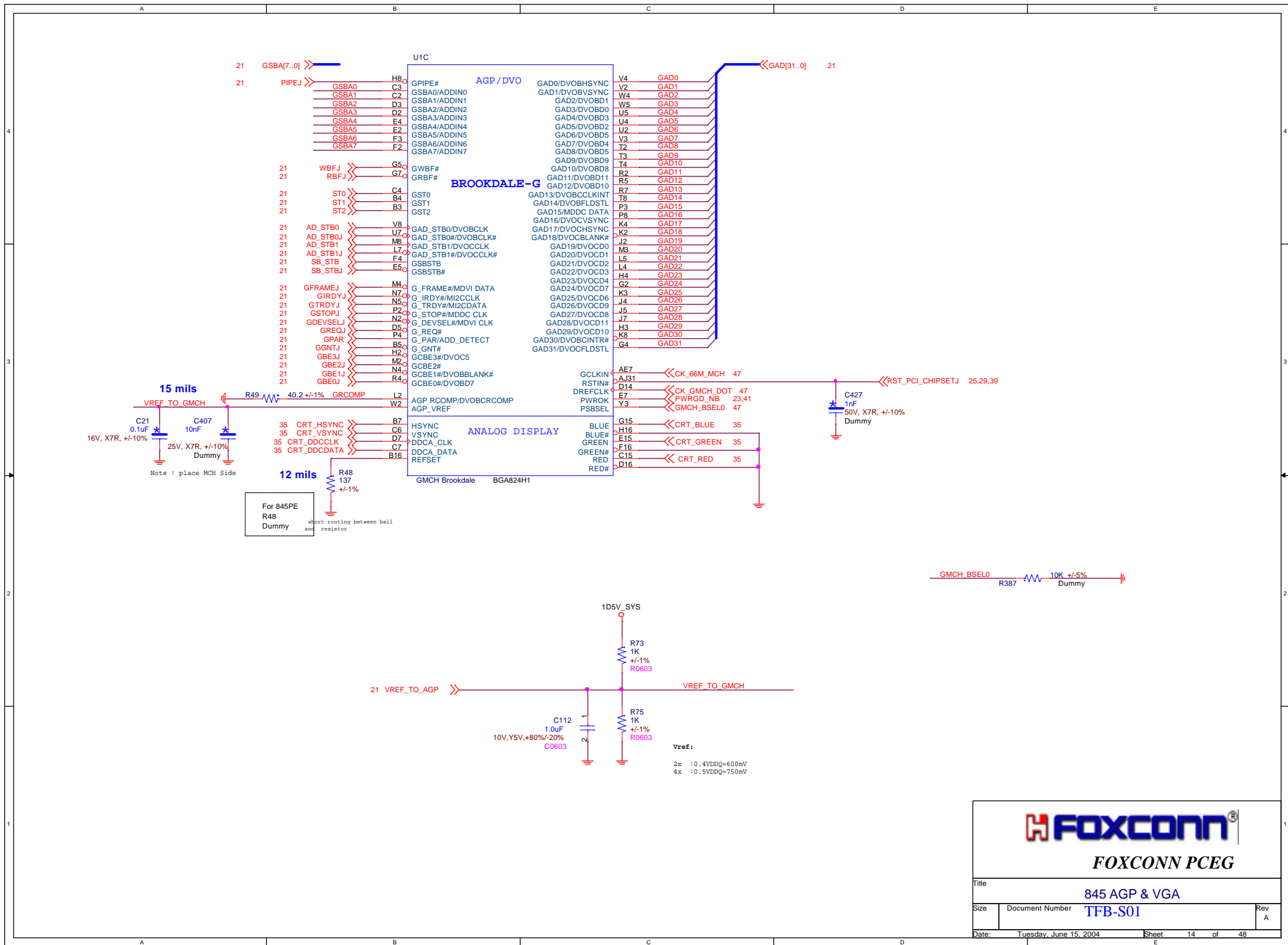
**FOXCONN PCEG**

Title 845GV Host Bus			
Size	Document Number TFB-S01	Rev A	
Date: Tuesday, June 15, 2004	Sheet 12	of 48	



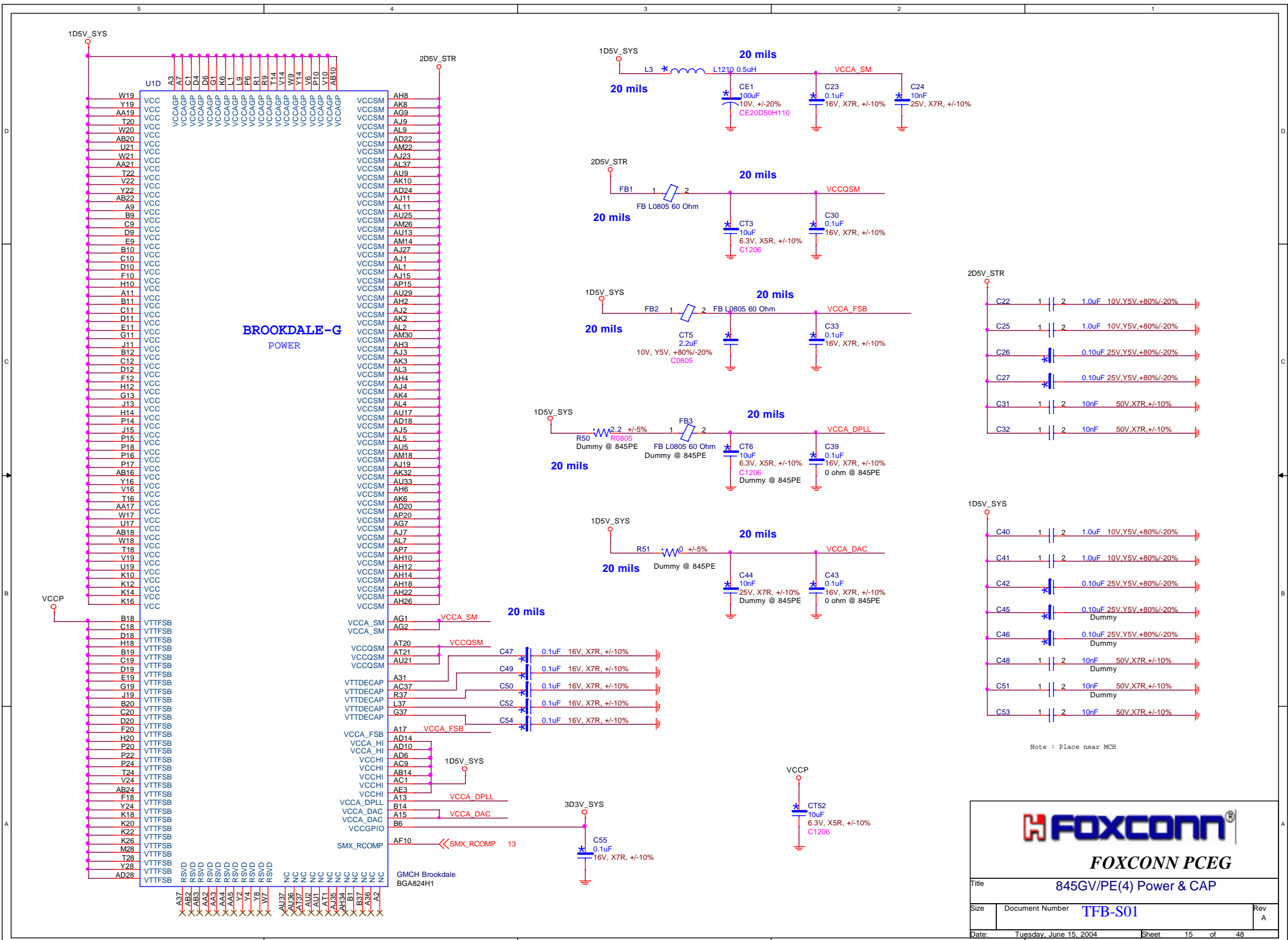
FOXCONN PCEG

Title			845GV DDR Bus
Size	Document Number	TFB-S01	
Date:	Tuesday, June 15, 2004	Sheet	13 of 48
		Rev	A



FOXCONN PCEG

Title			
845 AGP & VGA			
Size	Document Number	TFB-S01	Rev A
Date:	Tuesday, June 15, 2004	Sheet	14 of 48



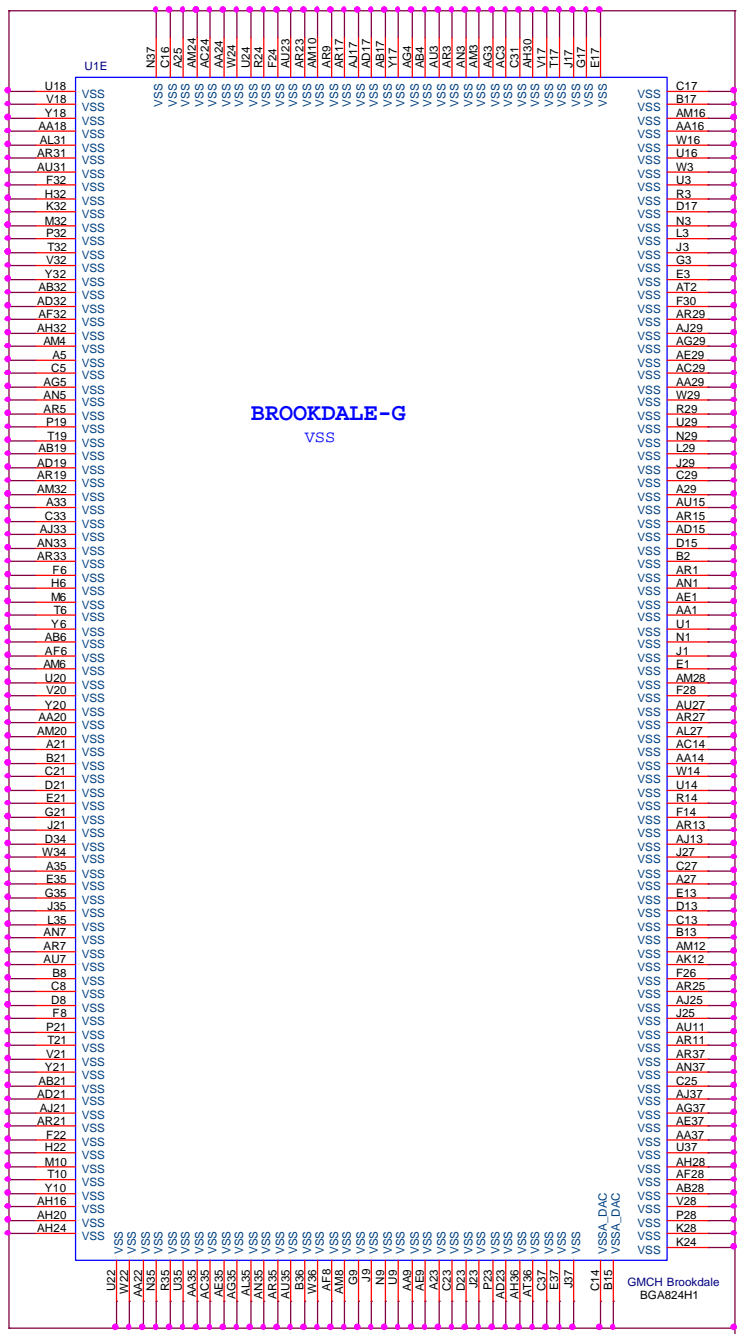
**FOXCONN PCEG**

845GV/PE(4) Power & CAP

Title	845GV/PE(4) Power & CAP		
Size	Document Number	TFB-S01	Rev A
Date:	Tuesday, June 15, 2004	Sheet	15 of 48

U1E

**BROOKDALE-G**  
VSS



GMCH Brookdale  
BGA624H1



**FOXCONN PCEG**

Title			Rev
845GV/PE Ground			A
Size	Document Number	TFB-S01	
Date:	Tuesday, June 15, 2004	Sheet	16 of 48



13,18,19,20 S\_MD[63..0] <<

>>M\_MD[63..0] 13,18,19,20

S_MD0	M_MD0
S_MD4	M_MD4
S_MD5	M_MD5
S_MD1	M_MD1

S_MD32	M_MD32
S_MD36	M_MD36
S_MD33	M_MD33
S_MD37	M_MD37

S_DQM0	M_DQM0
S_DQS0	M_DQS0
S_MD2	M_MD2
S_MD6	M_MD6

S_DQS4	M_DQS4
S_DQM4	M_DQM4
S_MD34	M_MD34
S_MD38	M_MD38

13,18,19,20 S\_DQS[7..0] >>

<<M\_DQS[7..0] 13,18,19,20

S_MD7	M_MD7
S_MD3	M_MD3
S_MD8	M_MD8
S_MD9	M_MD9

S_MD39	M_MD39
S_MD35	M_MD35
S_MD40	M_MD40
S_MD44	M_MD44

13,18,19,20 S\_DQM[7..0] >>

<<M\_DQM[7..0] 13,18,19,20

S_MD12	M_MD12
S_MD13	M_MD13
S_DQS1	M_DQS1
S_DQM1	M_DQM1

S_MD45	M_MD45
S_MD41	M_MD41
S_DQM5	M_DQM5
S_DQS5	M_DQS5

S_MD14	M_MD14
S_MD15	M_MD15
S_MD10	M_MD10
S_MD11	M_MD11

S_MD42	M_MD42
S_MD46	M_MD46
S_MD43	M_MD43
S_MD47	M_MD47

S_MD20	M_MD20
S_MD16	M_MD16
S_MD17	M_MD17
S_MD21	M_MD21

S_MD48	M_MD48
S_MD49	M_MD49
S_MD52	M_MD52
S_MD53	M_MD53

S_DQS2	M_DQS2
S_DQM2	M_DQM2
S_MD18	M_MD18
S_MD22	M_MD22

S_DQM6	M_DQM6
S_DQS6	M_DQS6
S_MD54	M_MD54
S_MD55	M_MD55

S_MD19	M_MD19
S_MD23	M_MD23
S_MD24	M_MD24
S_MD28	M_MD28

S_MD50	M_MD50
S_MD51	M_MD51
S_MD60	M_MD60
S_MD56	M_MD56

S_MD29	M_MD29
S_MD25	M_MD25
S_DQS3	M_DQS3
S_DQM3	M_DQM3

S_MD61	M_MD61
S_MD57	M_MD57
S_DQM7	M_DQM7
S_DQS7	M_DQS7

S_MD26	M_MD26
S_MD30	M_MD30
S_MD27	M_MD27
S_MD31	M_MD31

S_MD62	M_MD62
S_MD58	M_MD58
S_MD63	M_MD63
S_MD59	M_MD59



FOXCONN PCEG

Title			DDR Series Resistor
Size	Document Number	TFB-S01	
Date:	Tuesday, June 15, 2004	Sheet	17 of 48
			Rev A

D

C

B

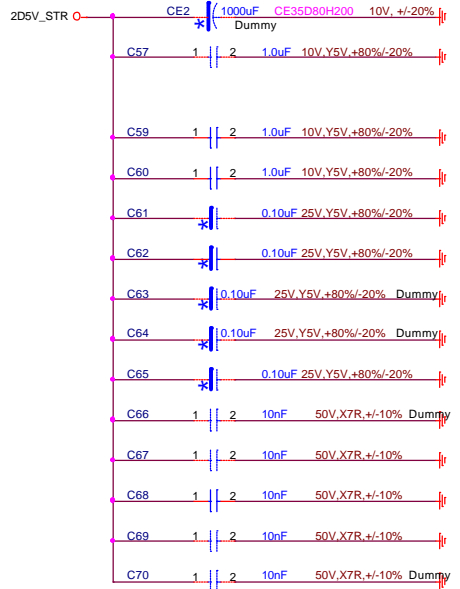
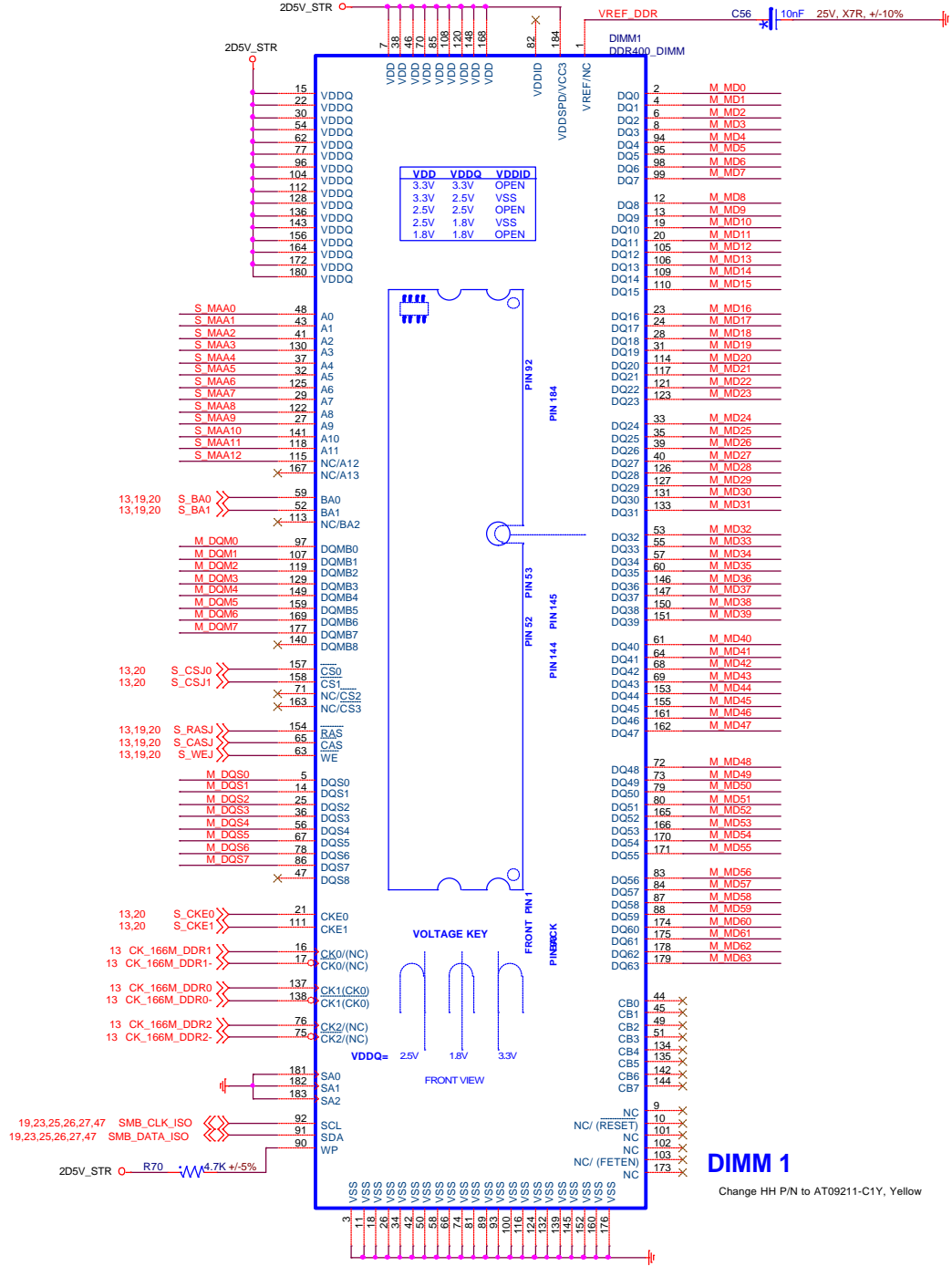
A

D

C

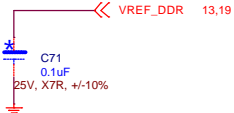
B

A



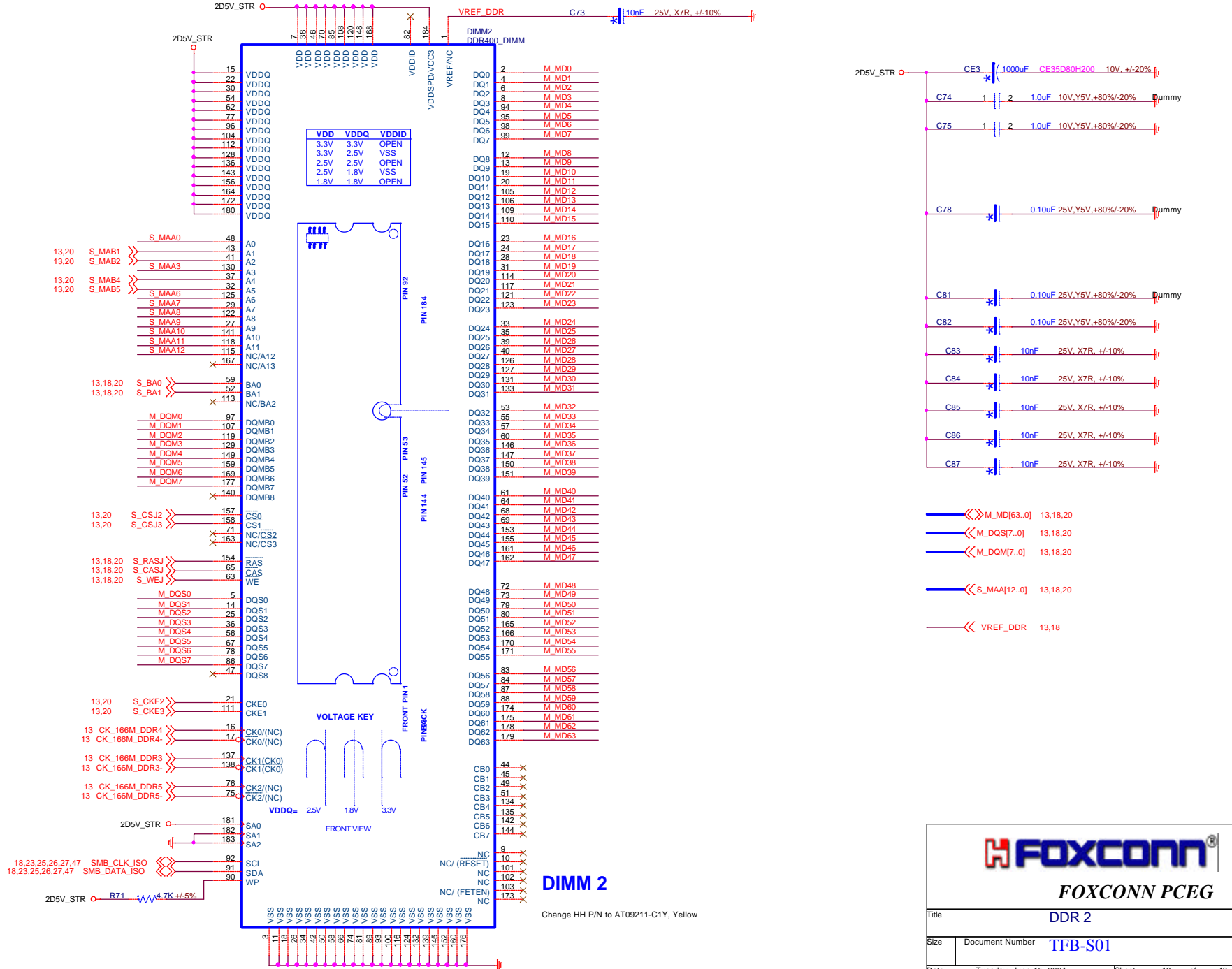
- ⟨⟨ M\_MD[63..0] 13,19,20
- ⟨⟨ M\_DQS[7..0] 13,19,20
- ⟨⟨ M\_DQM[7..0] 13,19,20
- ⟨⟨ S\_MAA[12..0] 13,19,20

**NEAR DIMM1**



**FOXCONN PCEG**

Title: <b>DDR 1</b>		
Size:	Document Number: <b>TFB-S01</b>	Rev: <b>A</b>
Date: <b>Tuesday, June 15, 2004</b>	Sheet: <b>18</b>	of <b>48</b>



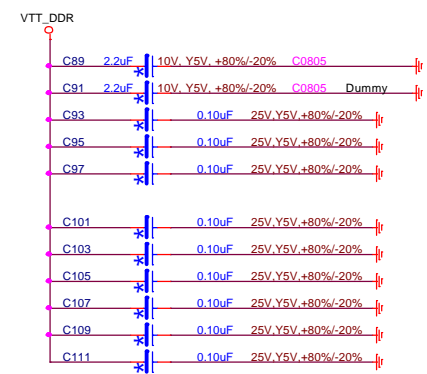
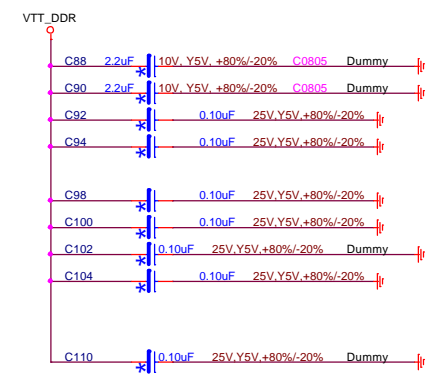
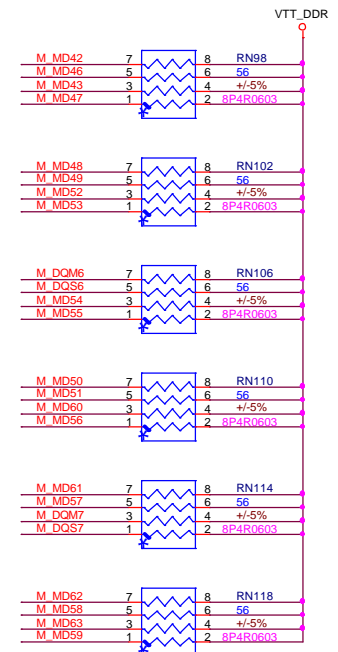
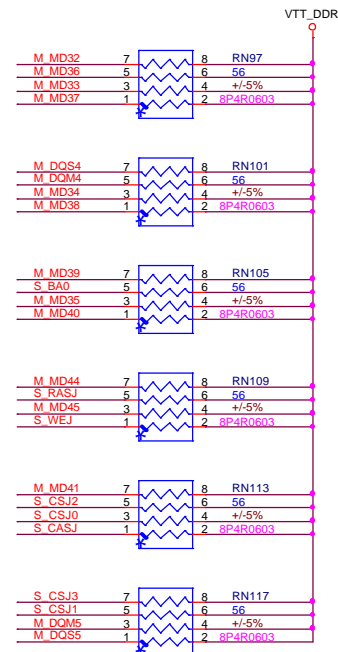
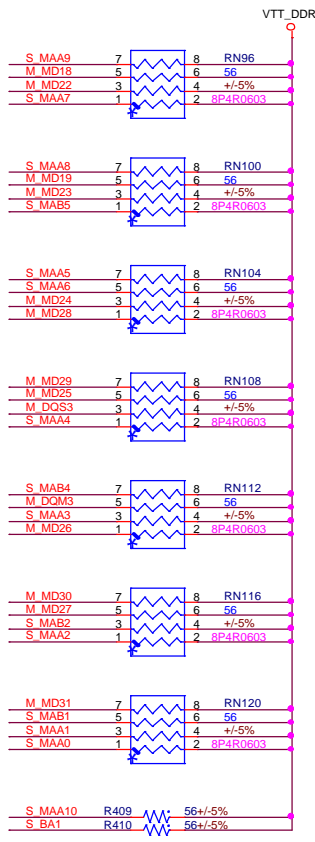
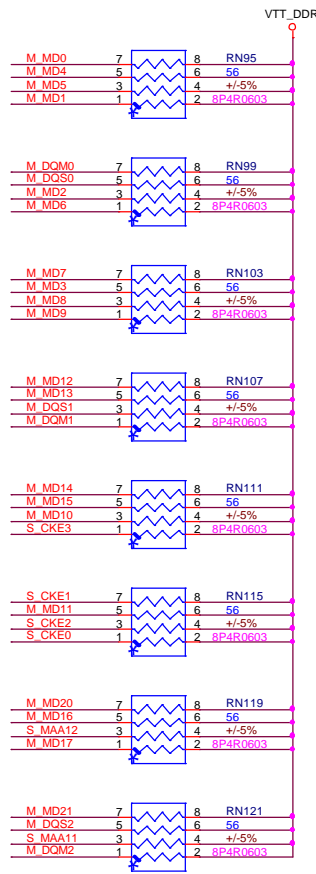
**FOXCONN**

**FOXCONN PCEG**


Title: **DDR 2**

Size: Document Number **TFB-S01** Rev **A**

Date: Tuesday, June 15, 2004 Sheet 19 of 48

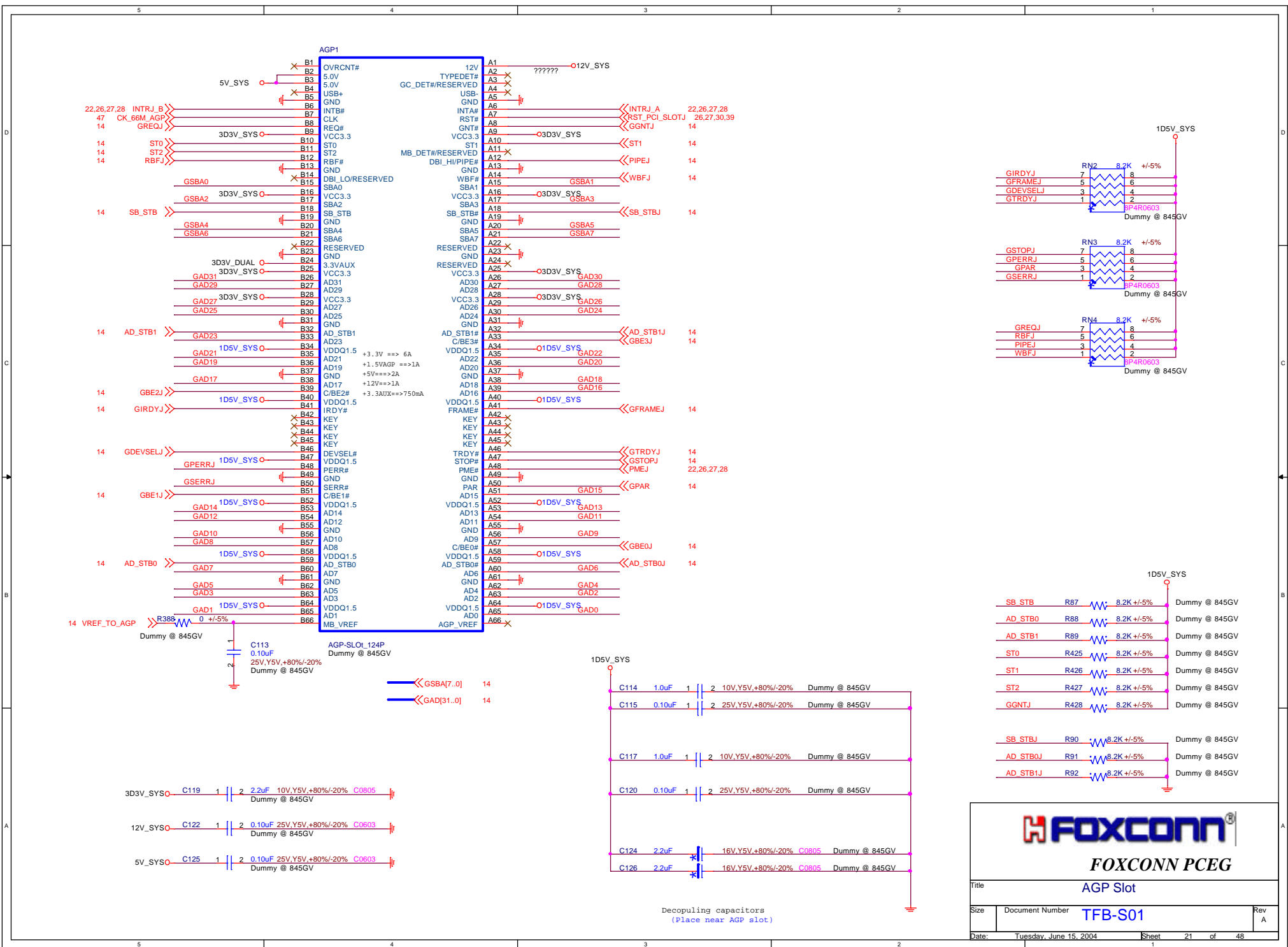


- <<S\_CKE0 13,18
- <<S\_CKE1 13,18
- <<S\_CKE2 13,19
- <<S\_CKE3 13,19
- <<S\_CSJ0 13,18
- <<S\_CSJ1 13,18
- <<S\_CSJ2 13,19
- <<S\_CSJ3 13,19
- <<S\_RASJ 13,18,19
- <<S\_CASJ 13,18,19
- <<S\_WEJ 13,18,19
- <<S\_BA0 13,18,19
- <<S\_BA1 13,18,19
- <<S\_MAB1 13,19
- <<S\_MAB2 13,19
- <<S\_MAB4 13,19
- <<S\_MAB5 13,19
- <<M\_MD[63..0] 13,18,19
- <<M\_DQS[7..0] 13,18,19
- <<M\_DQM[7..0] 13,18,19
- <<S\_MAA[12..0] 13,18,19



**FOXCONN PCEG**

Title			DDR Termination
Size	Document Number	TFB-S01	
Date:	Tuesday, June 15, 2004	Sheet	20 of 48
			1



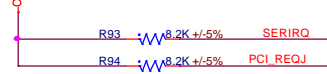
**FOXCONN PCEG**

Title <b>AGP Slot</b>		
Size	Document Number <b>TFB-S01</b>	Rev A
Date:	Tuesday, June 15, 2004	Sheet 21 of 48

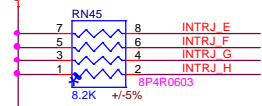
Decoupling capacitors  
(Place near AGP slot)

# ICH4 PART1

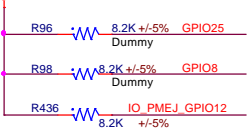
3D3V\_SYS



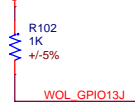
3D3V\_SYS



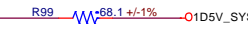
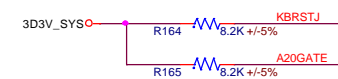
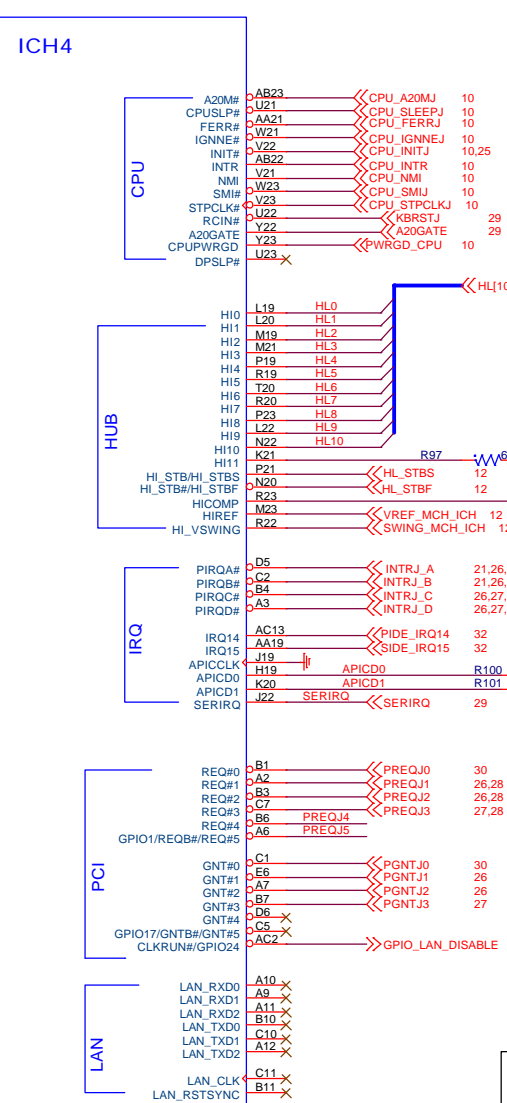
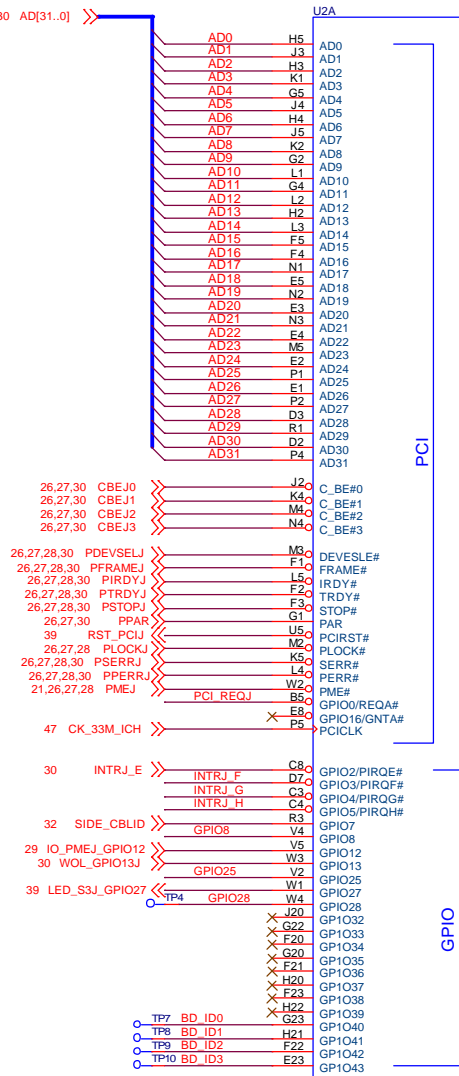
3D3V\_DUAL



3D3V\_DUAL



26.27.30 AD[31..0]



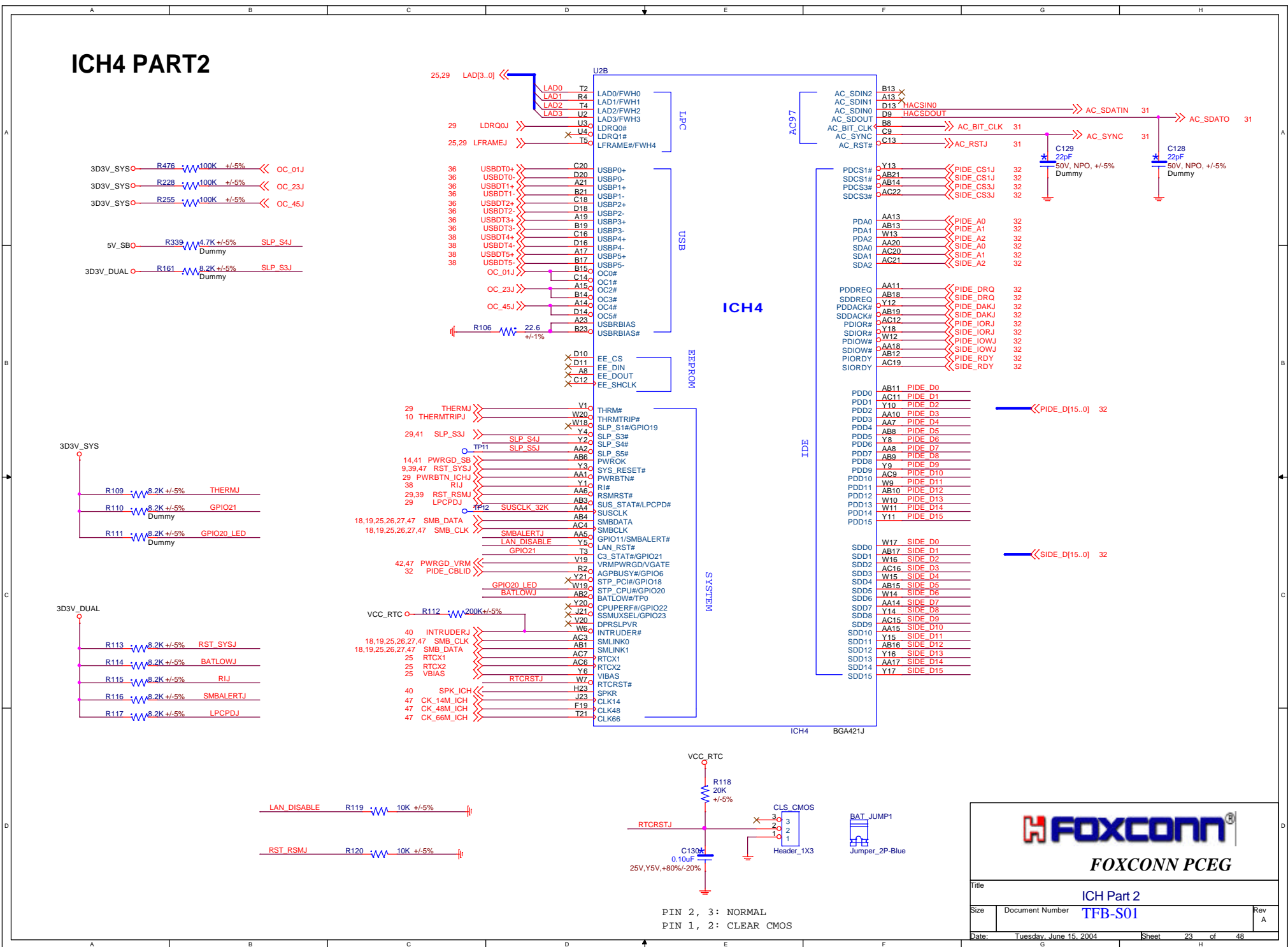
Note: Place the res. near ICH4



Title			ICH Part 1
Size	Document Number	TFB-S01	
Date:	Tuesday, June 15, 2004	Sheet	22 of 48

ICH4 BGA421J

# ICH4 PART2

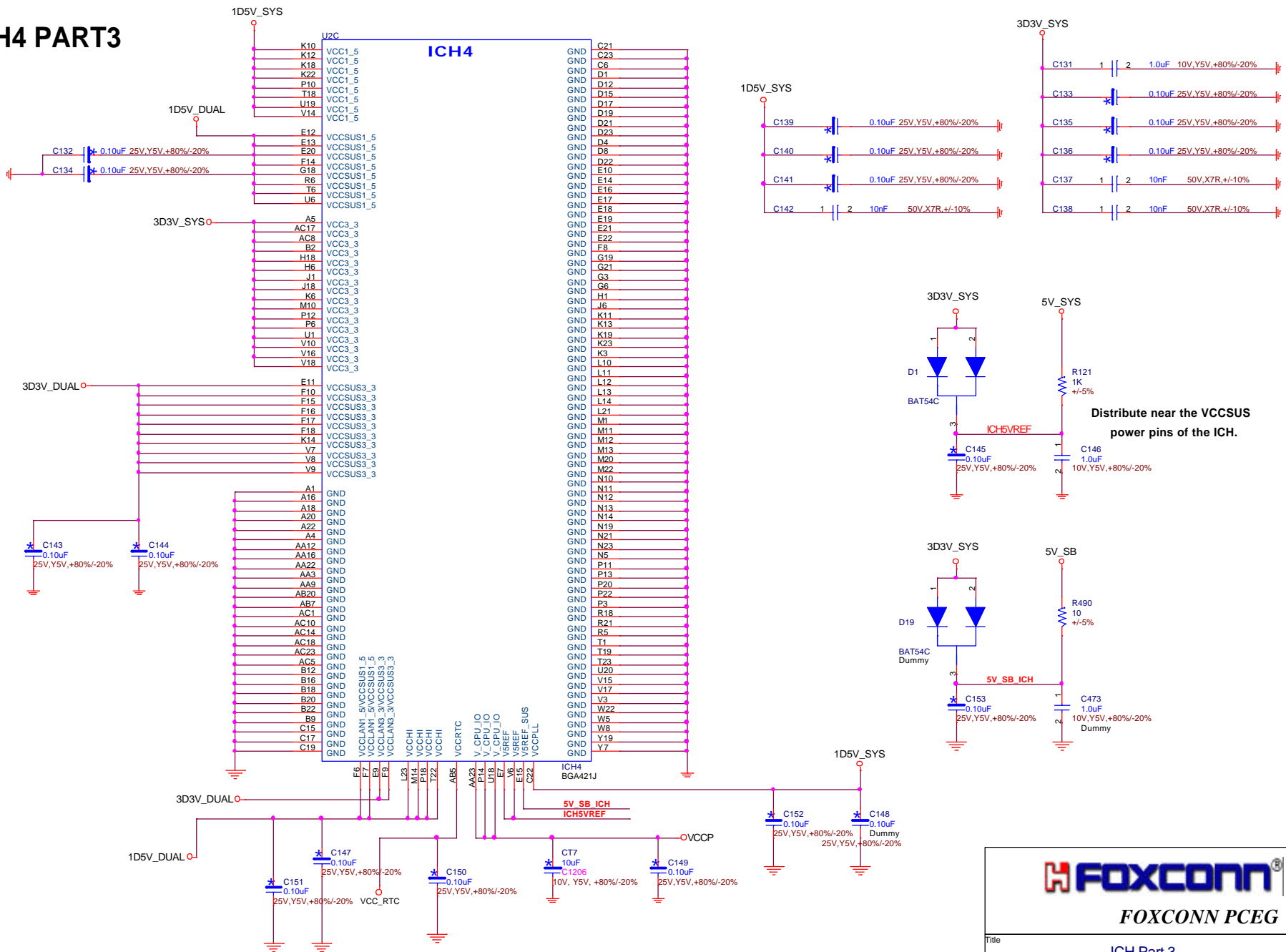


FOXCONN PCEG

Title			ICH Part 2
Size	Document Number	TFB-S01	
Date:	Tuesday, June 15, 2004	Sheet	23 of 48
		Rev	A

PIN 2, 3: NORMAL  
PIN 1, 2: CLEAR CMOS

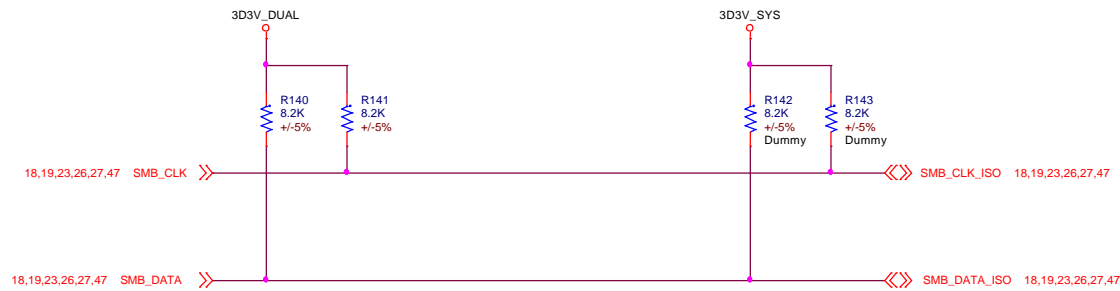
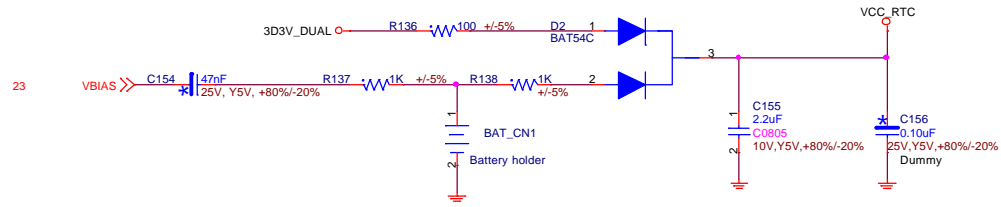
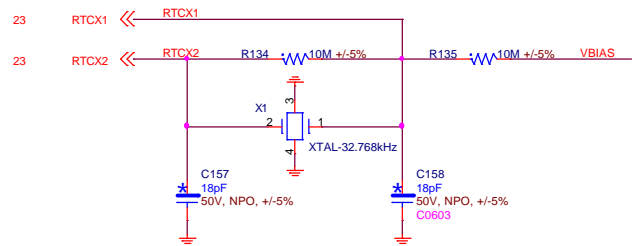
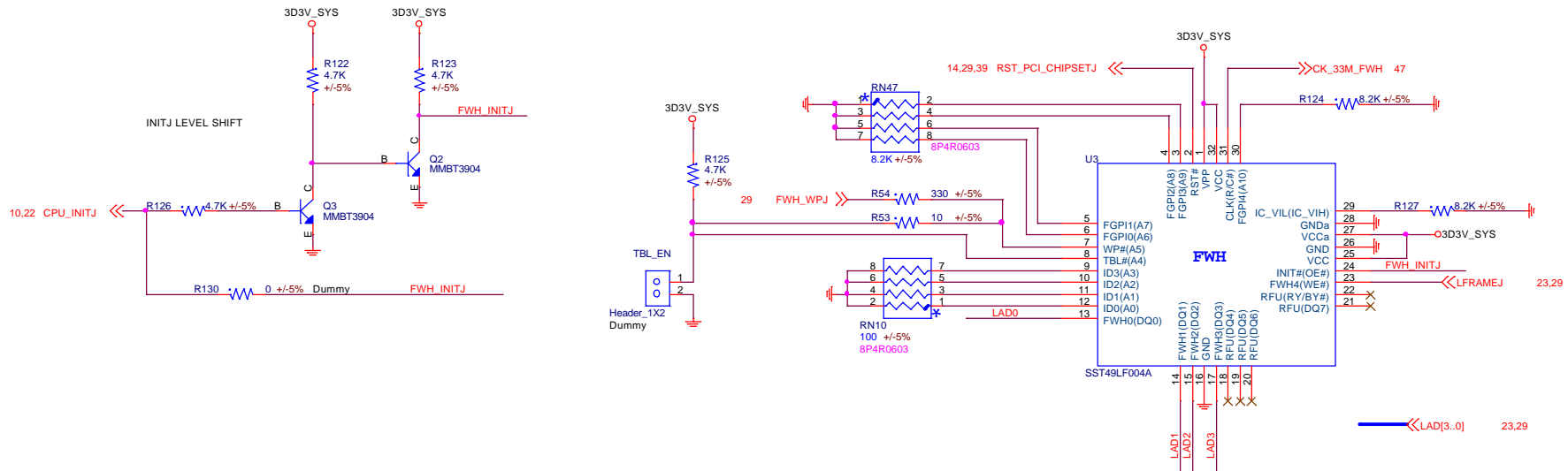
# ICH4 PART3



FOXCONN PCEG

Title			ICH Part 3		
Size	Document Number	TFB-S01			Rev
					A
Date:	Tuesday, June 15, 2004	Sheet	24	of	48





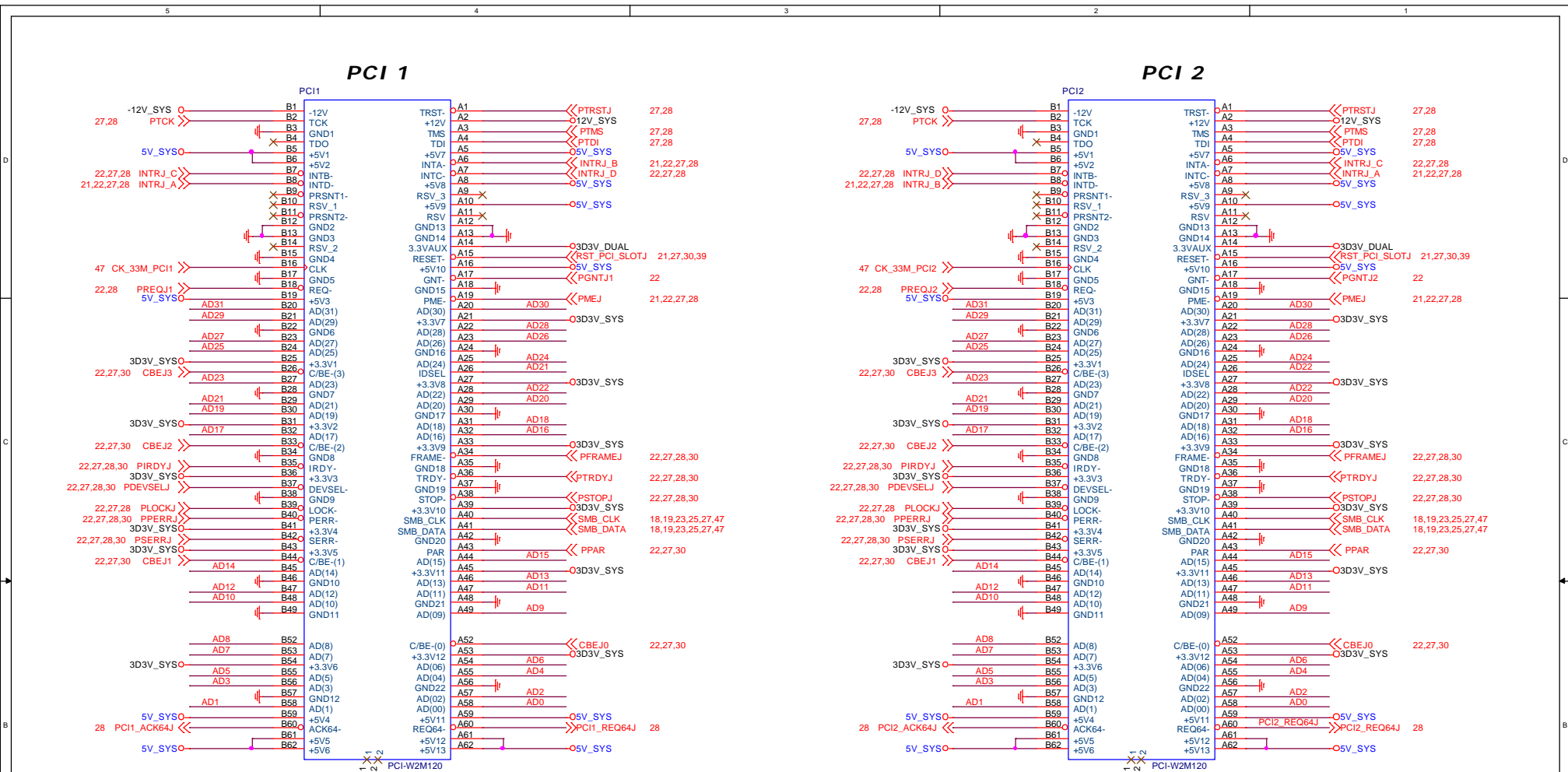
**FOXCONN**  
FOXCONN PCEG

Title: **Firmware & RTC**

Size: Document Number **TFB-S01** Rev A

Date: Tuesday, June 15, 2004 Sheet 25 of 48

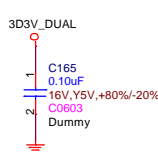
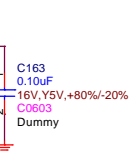
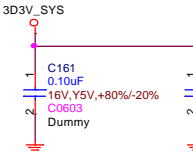
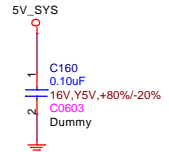
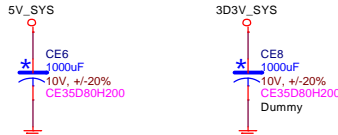
SMBUS ISOLATION



**B,C,D,A**  
**IDSEL 21**

**C,D,A,B**  
**IDSEL 22**

INSTALL BETWEEN PCI1 AND PCI2

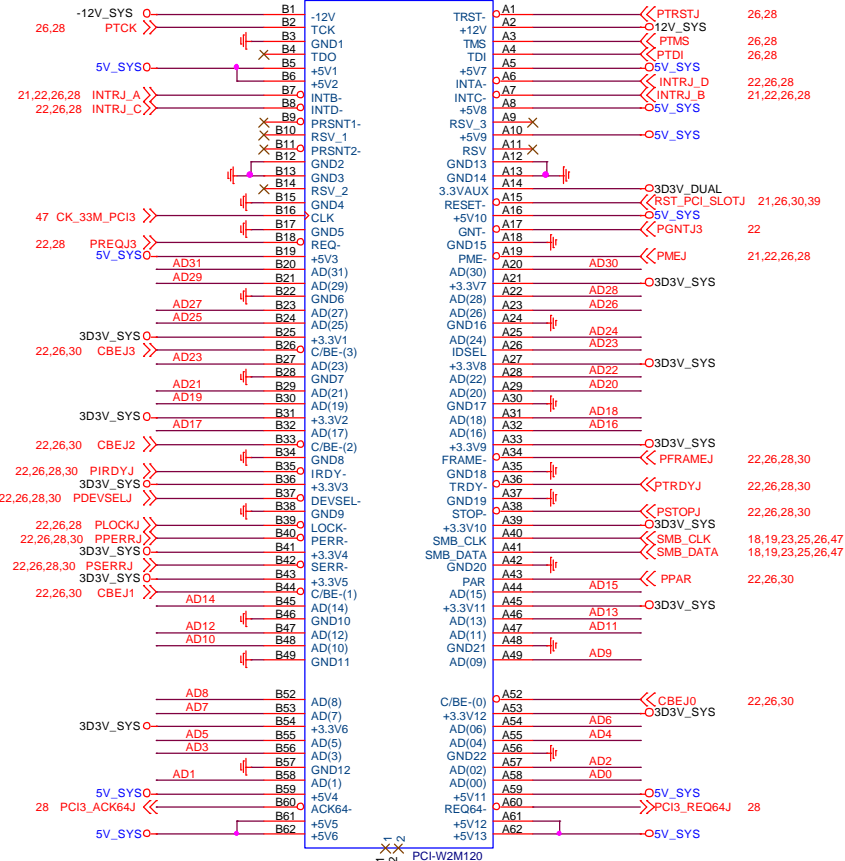


**FOXCONN PCEG**

Title			PCI1,2 SLOT
Size	Document Number	TFB-S01	
Date:	Tuesday, June 15, 2004	Sheet	26 of 48

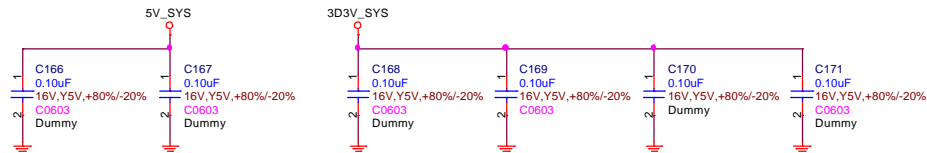
### PCI 3

PCI3



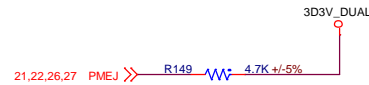
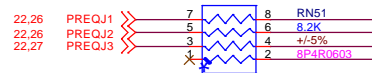
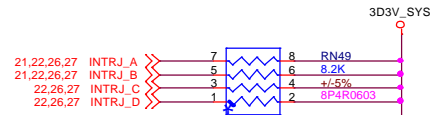
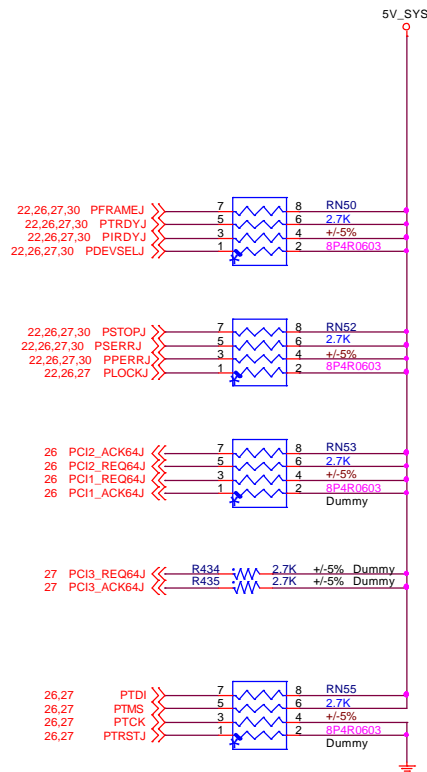
### D, A, B, C IDSEL 23

AD[31..0] 22,26,30



### FOXCONN PCEG

Title PCI 3 SLOT		
Size	Document Number TFB-S01	Rev A
Date:	Tuesday, June 15, 2004	Sheet 27 of 48

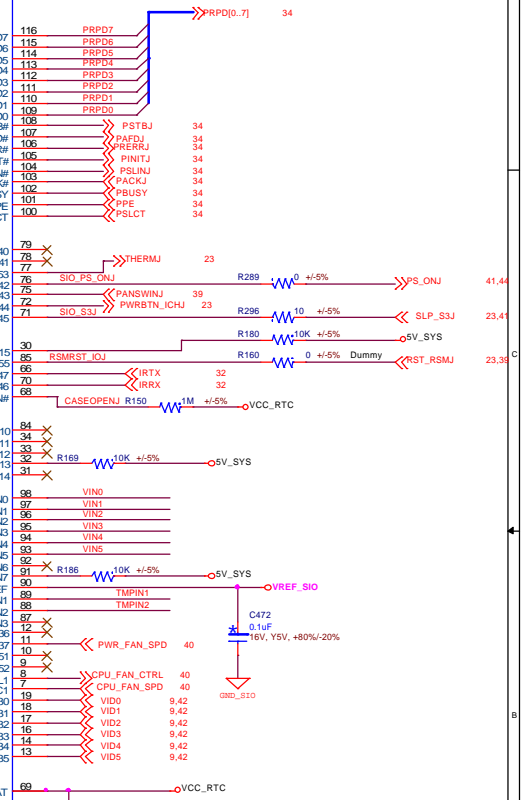
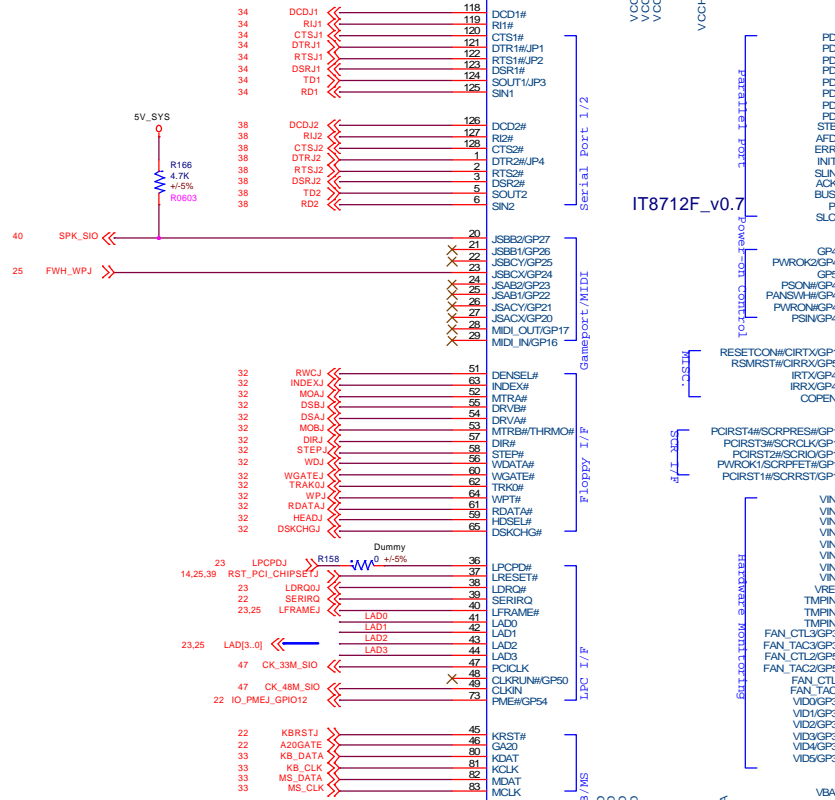
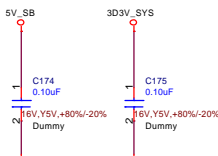
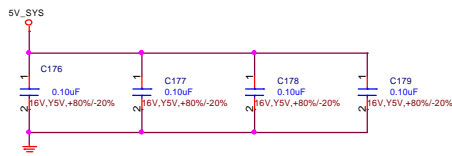
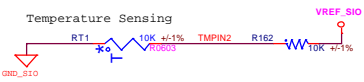
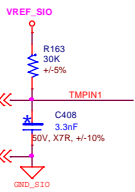
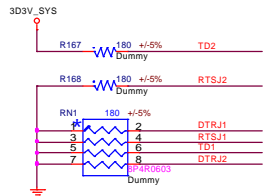
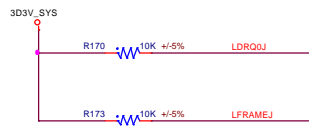
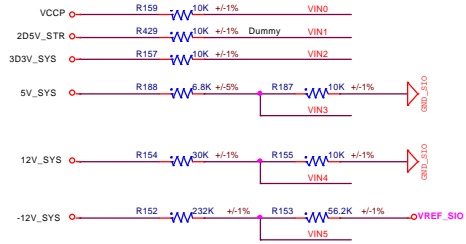


**FOXCONN**<sup>®</sup>

**FOXCONN PCEG**

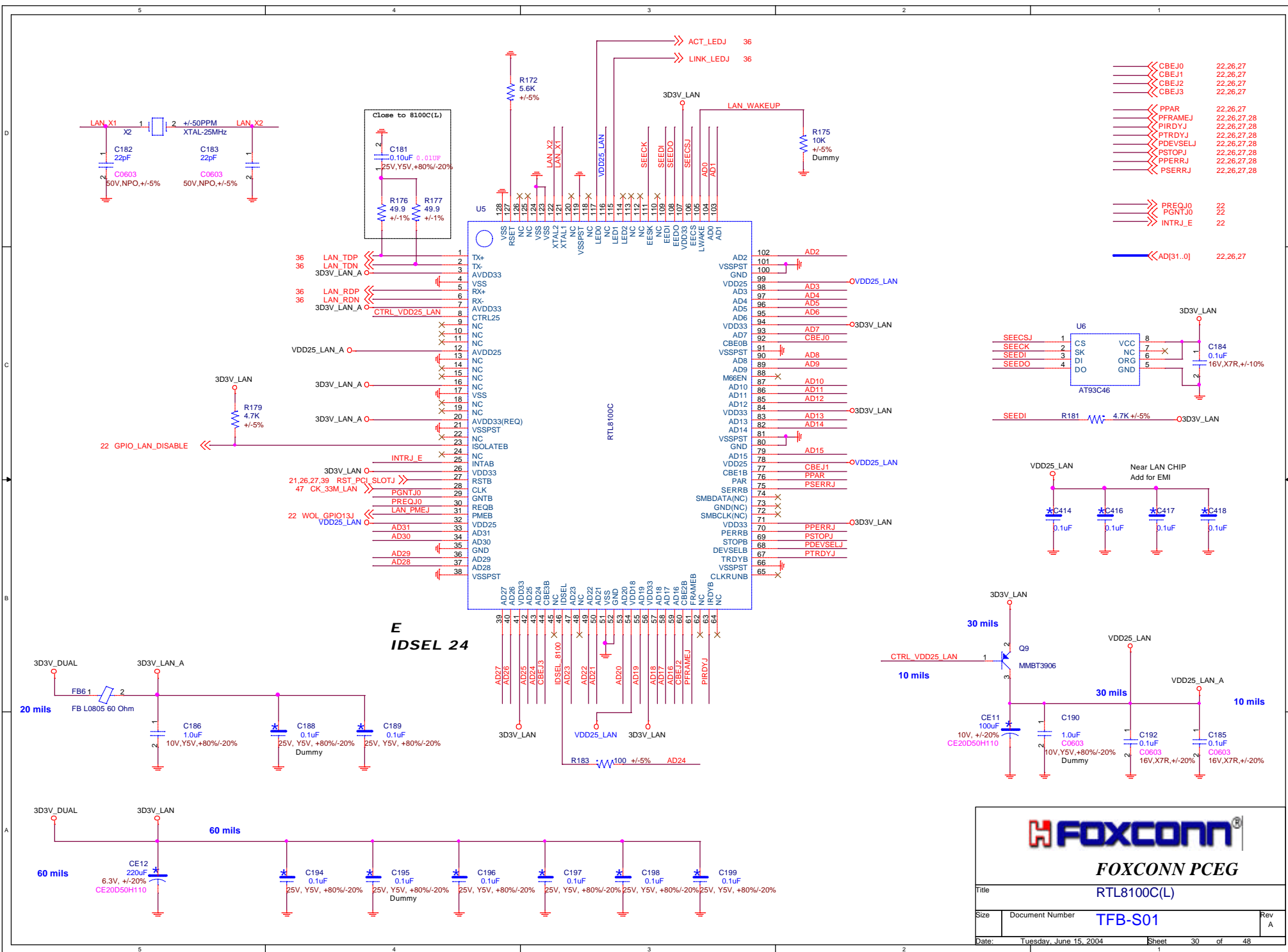
Title			PCI Pull High & Down
Size	Document Number	TFB-S01	
		Rev	A
Date:	Tuesday, June 15, 2004	Sheet	28 of 48

VOLTAGE SENSE



**FOXCONN**  
 FOXCONN PCEG

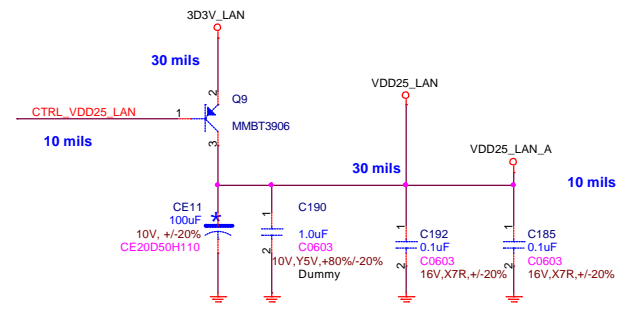
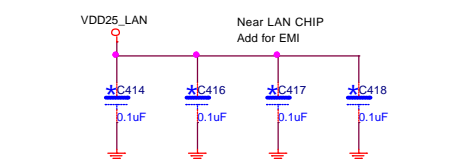
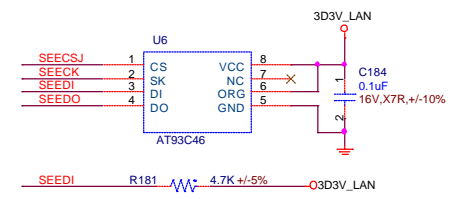
File: ITE8712  
 Size: Document Number TFB-S01 Rev A  
 Date: Tuesday, June 15, 2004 Sheet 29 of 48



CBEJ0	22,26,27
CBEJ1	22,26,27
CBEJ2	22,26,27
CBEJ3	22,26,27
PPAR	22,26,27
PFRAMEJ	22,26,27,28
PIRDYJ	22,26,27,28
PTRDYJ	22,26,27,28
PDEVSELJ	22,26,27,28
PSTOPJ	22,26,27,28
PPERRJ	22,26,27,28
PSERRJ	22,26,27,28

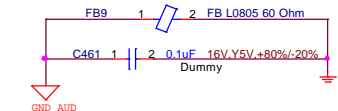
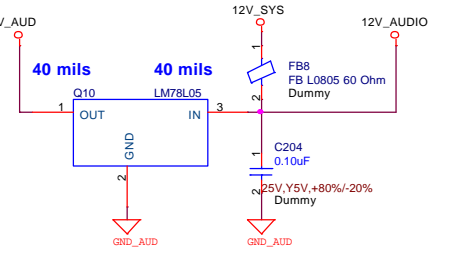
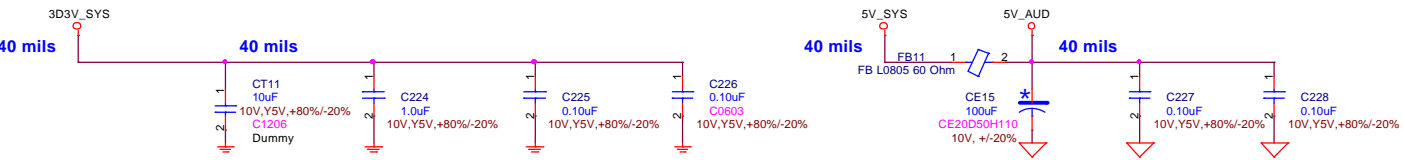
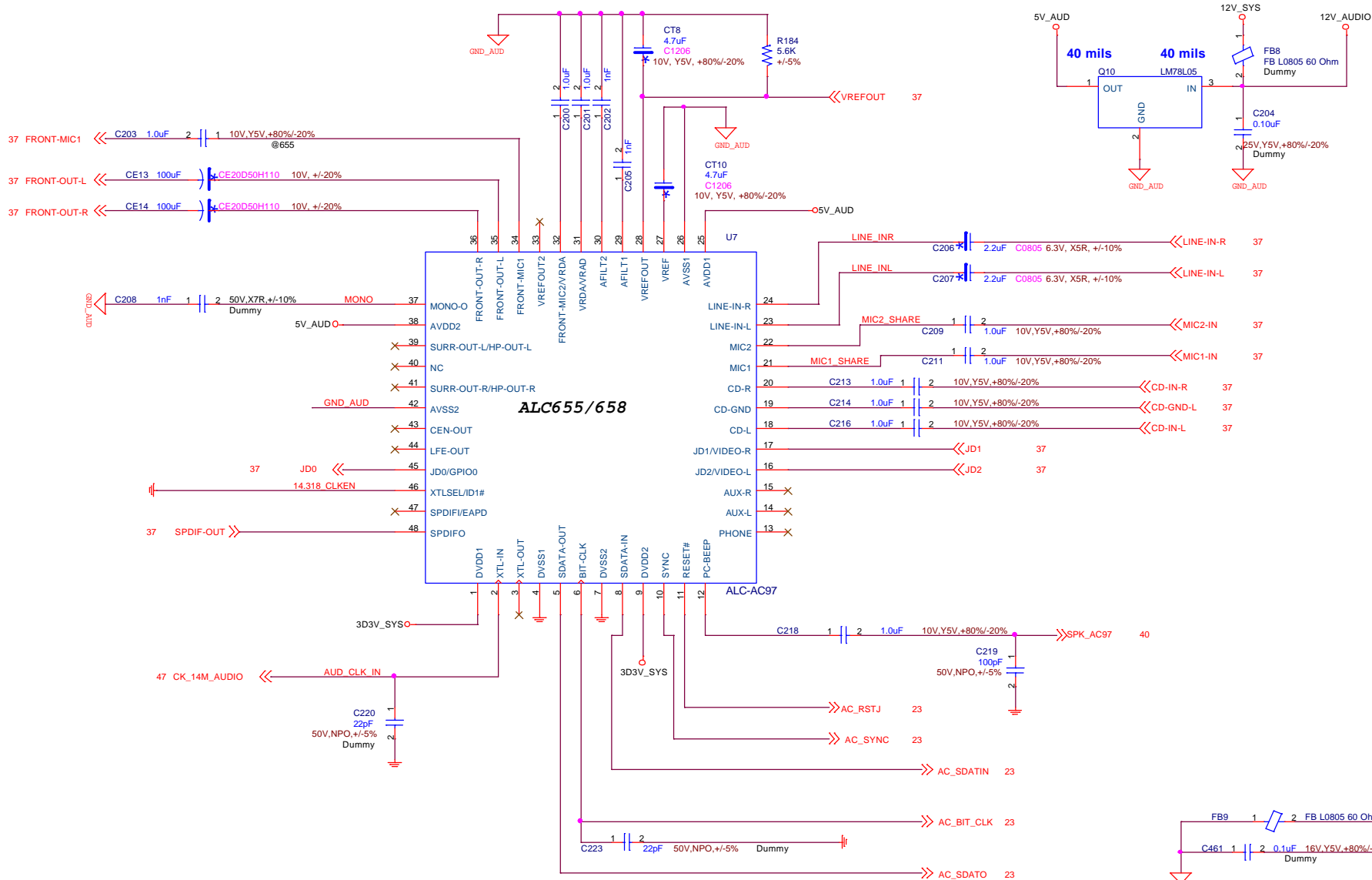
PREQJ0	22
PGNTJ0	22
INTRJ_E	22

AD[31..0] 22,26,27



FOXCONN PCEG

Title			RTL8100C(L)
Size	Document Number	TFB-S01	Rev A
Date:	Tuesday, June 15, 2004	Sheet	30 of 48



**FOXCONN**<sup>®</sup>

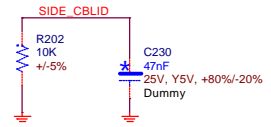
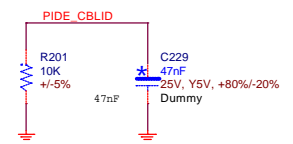
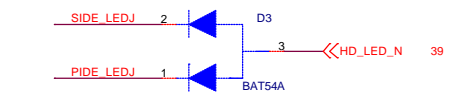
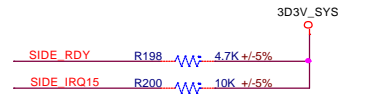
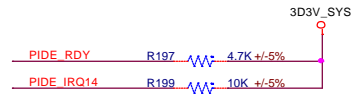
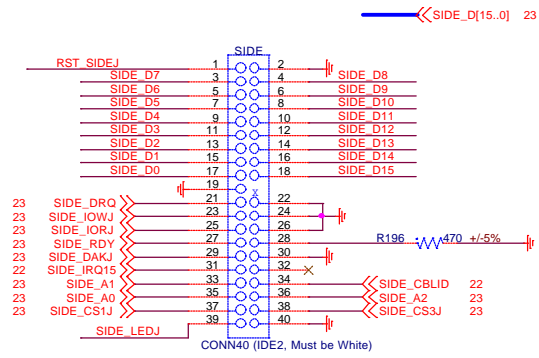
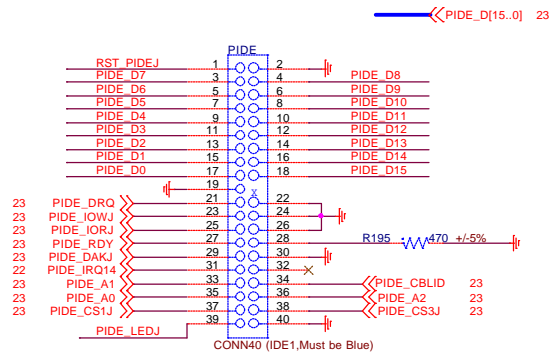
**FOXCONN PCEG**

Title: ALC97 Codec: ALC655

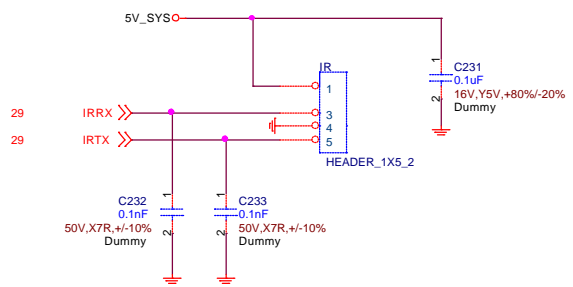
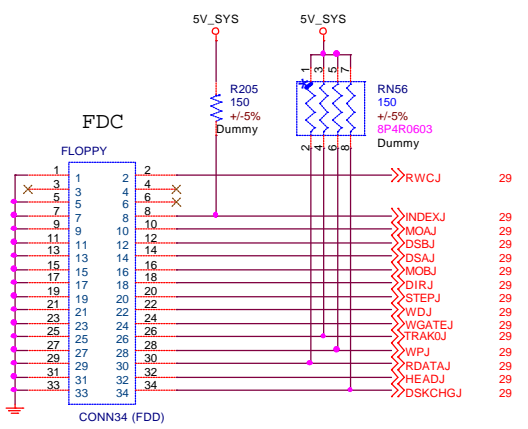
Size	Document Number	TFB-S01	Rev
			A
Date:	Tuesday, June 15, 2004		Sheet 31 of 48

PRIMARY

SECONDARY



IR CONNECTOR

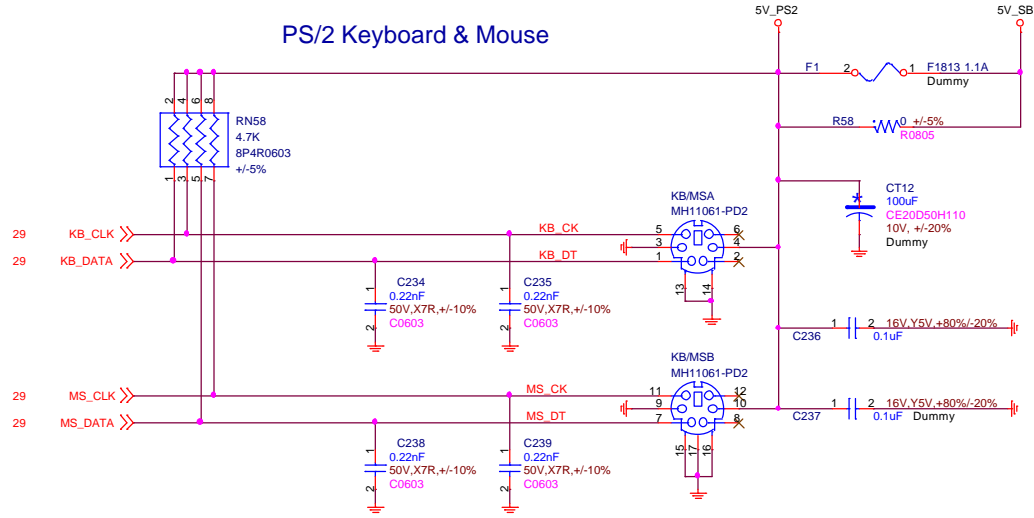


FOXCONN PCEG

Title			IDE1,2
Size	Document Number	TFB-S01	
		Rev	A
Date:	Tuesday, June 15, 2004	Sheet	32 of 48

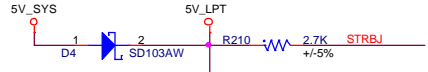
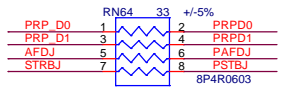
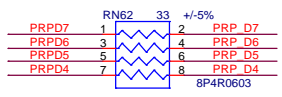
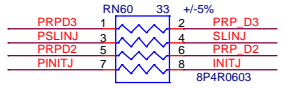
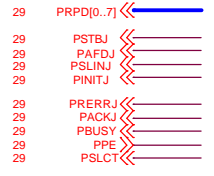


# PS/2 Keyboard & Mouse

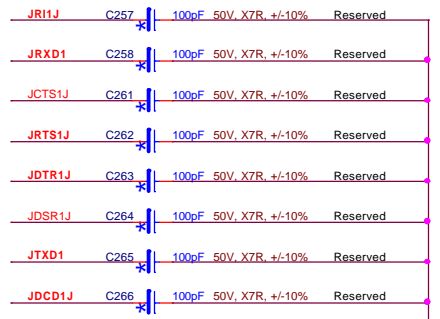
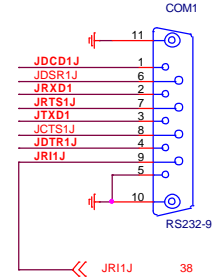
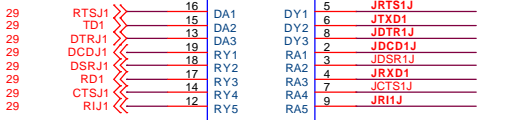
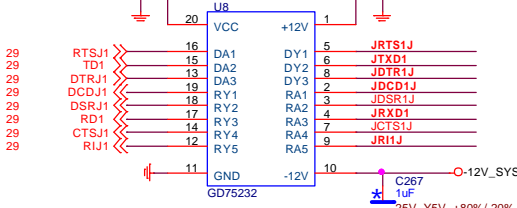
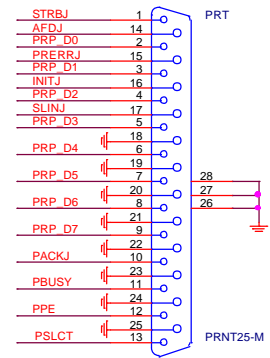
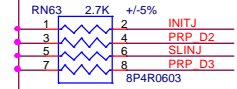
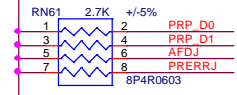
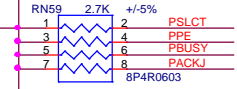
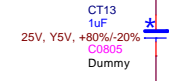


FOXCONN PCEG

Title			PS/2
Size	Document Number	TFB-S01	
		Rev	A
Date:	Tuesday, June 15, 2004	Sheet	33 of 48

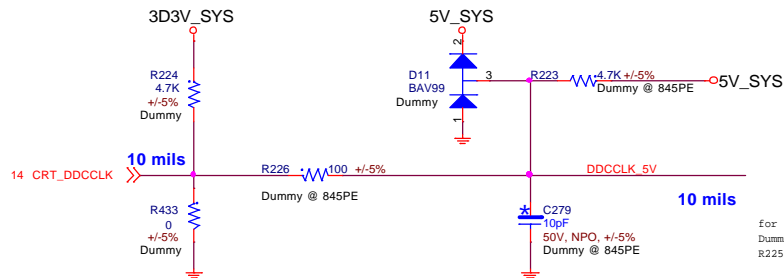
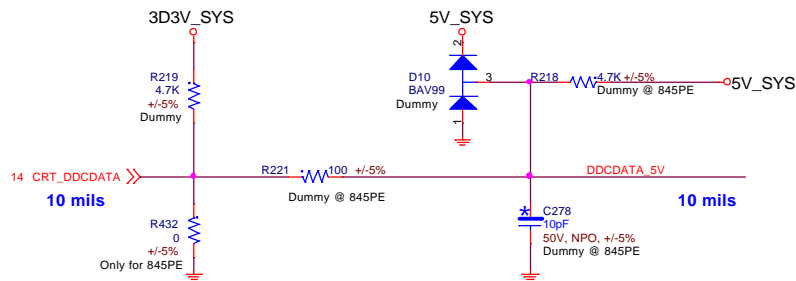
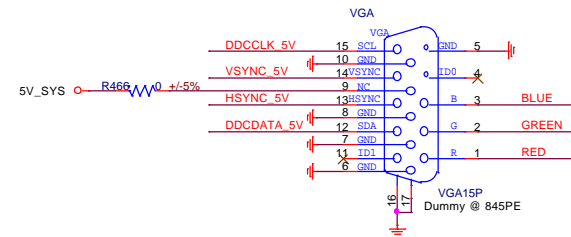
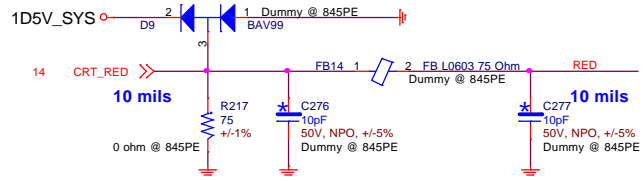
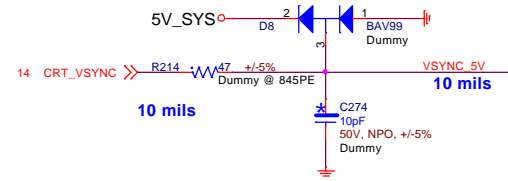
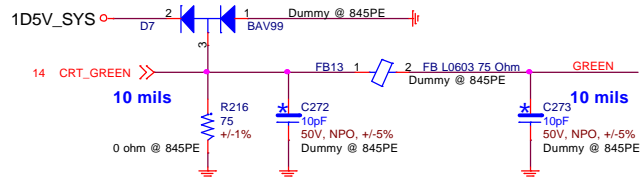
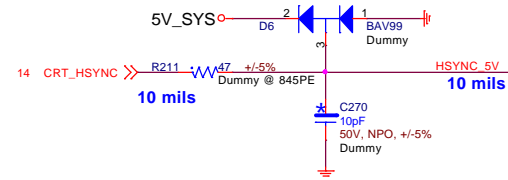
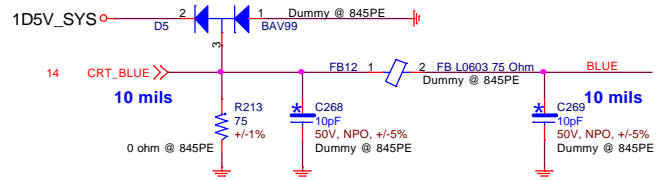


30 mils



FOXCONN PCEG

Title Parallel Port & S COM 1		
Size	Document Number TFB-S01	Rev A
Date:	Tuesday, June 15, 2004	Sheet 34 of 48



For 845PE  
 Dummy Q13, Q14, D11,  
 R225, R223, R227, R226



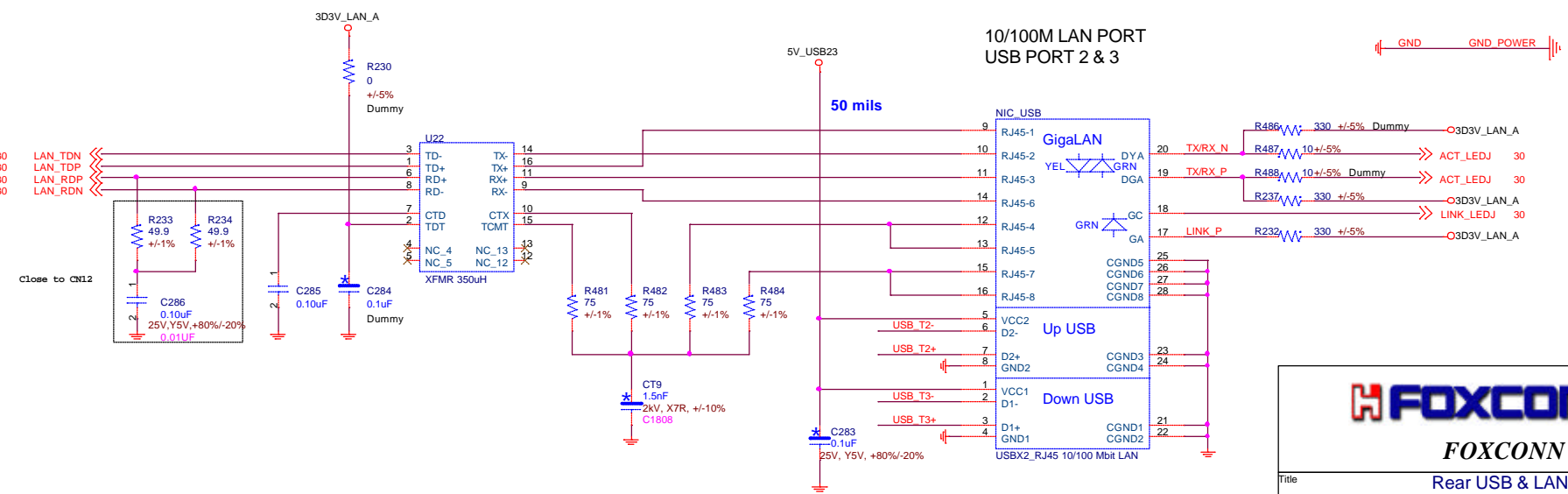
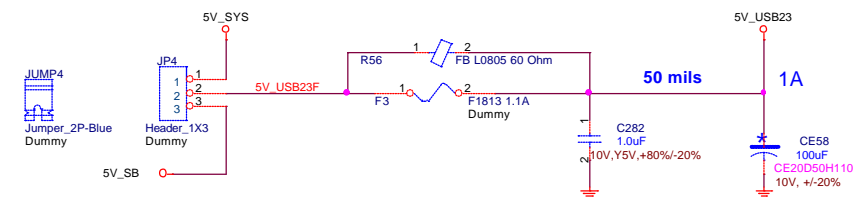
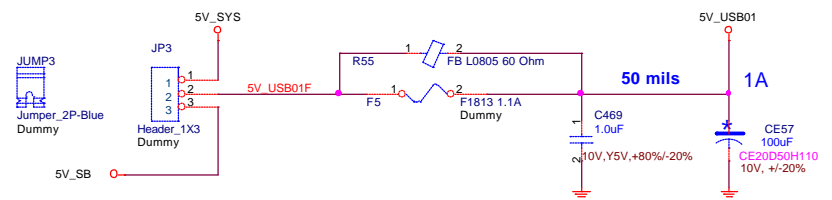
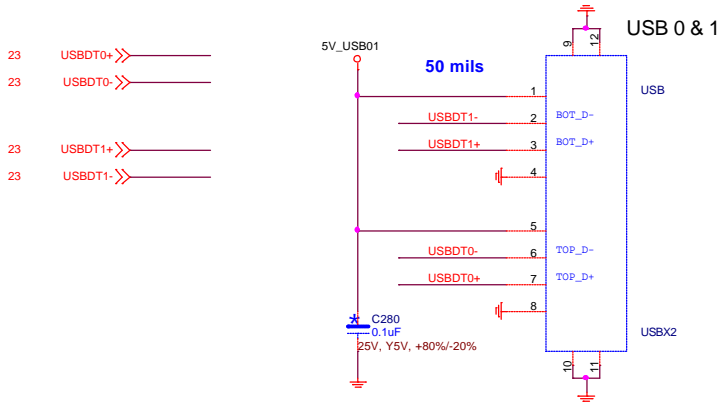
FOXCONN PCEG

Title Rear VGA Port

Size Document Number TFB-S01

Rev A

Date: Tuesday, June 15, 2004 Sheet 35 of 48

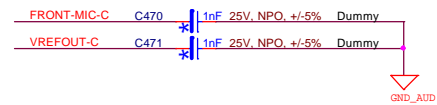
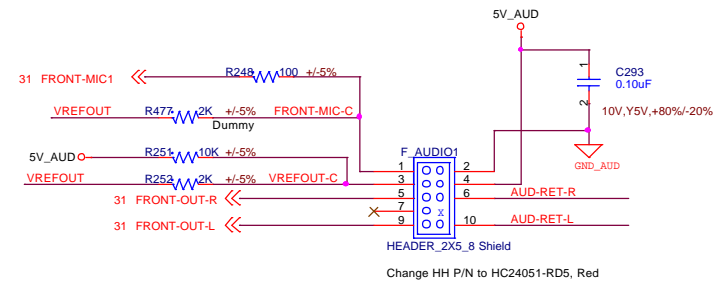
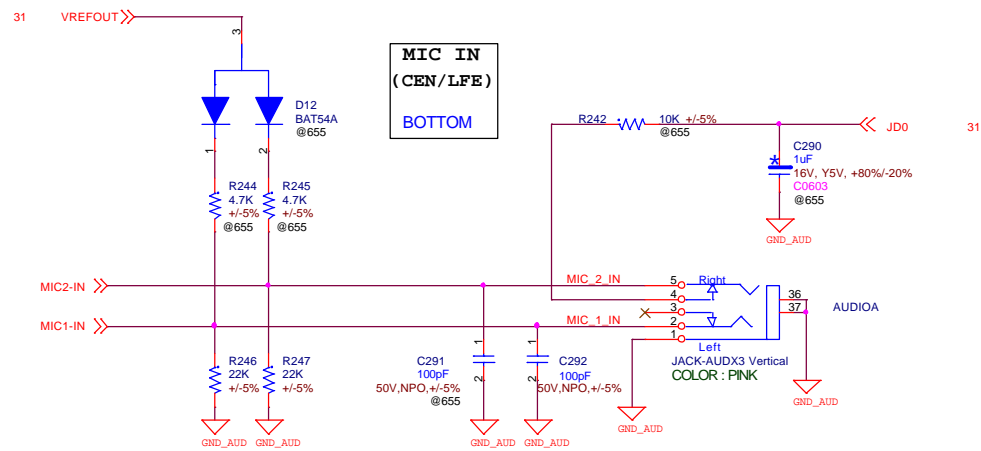
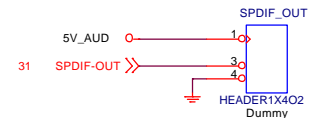
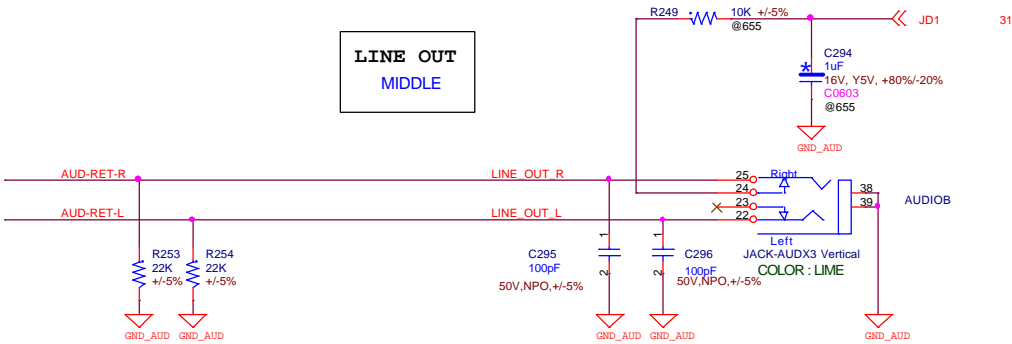
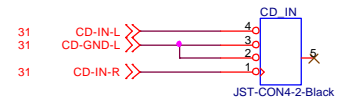
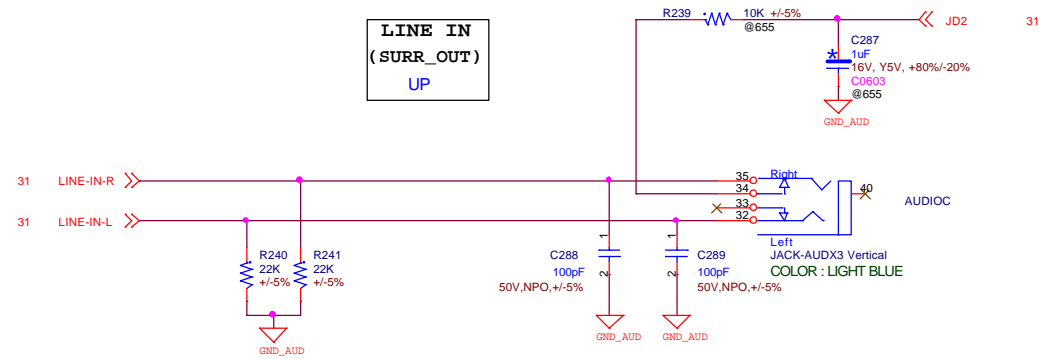


**FOXCONN PCEG**

Title: Rear USB & LAN

Size	Document Number	Rev
	TFB-S01	A

Date: Tuesday, June 15, 2004 Sheet 36 of 48



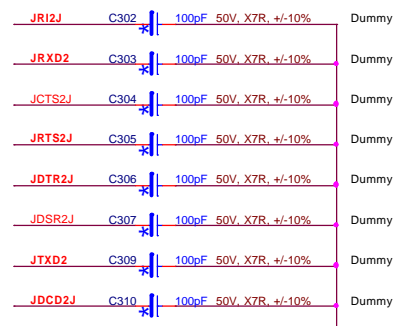
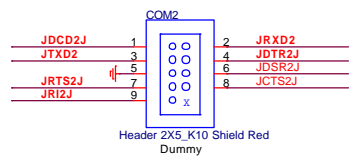
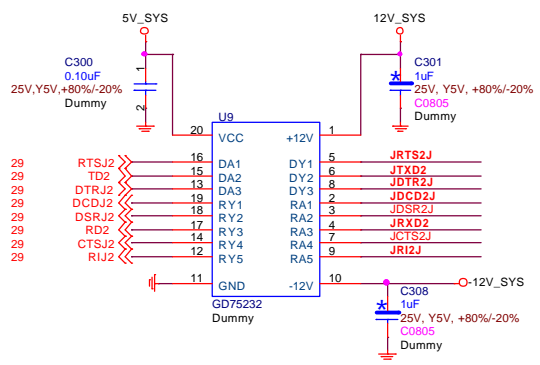
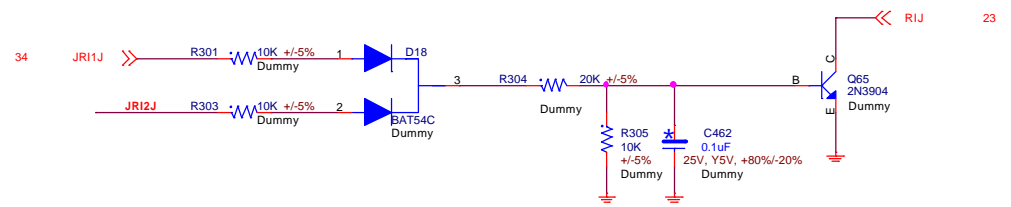
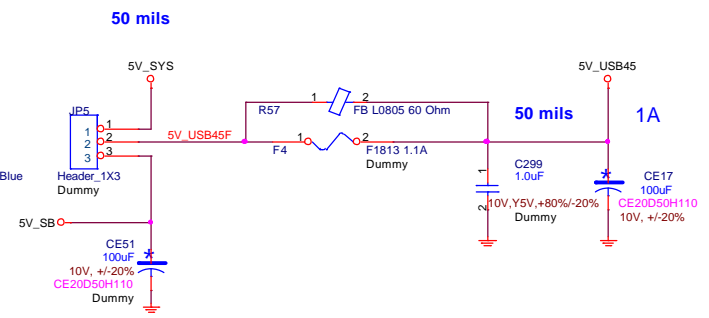
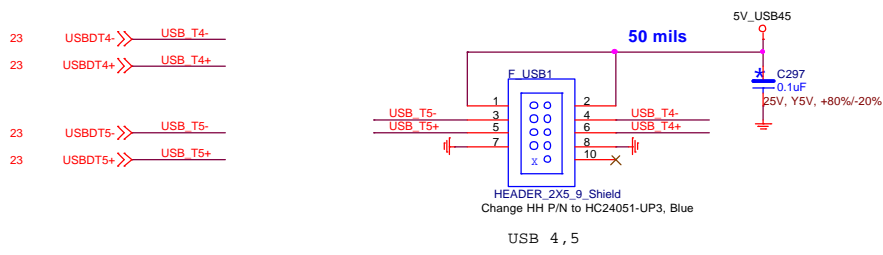
**FOXCONN**

**FOXCONN PCEG**

Title: Audio Port

Size: Document Number TFB-S01 Rev A

Date: Tuesday, June 15, 2004 Sheet 37 of 48

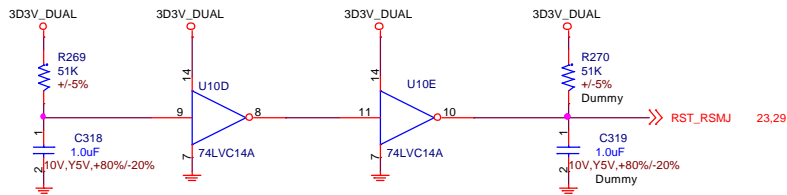
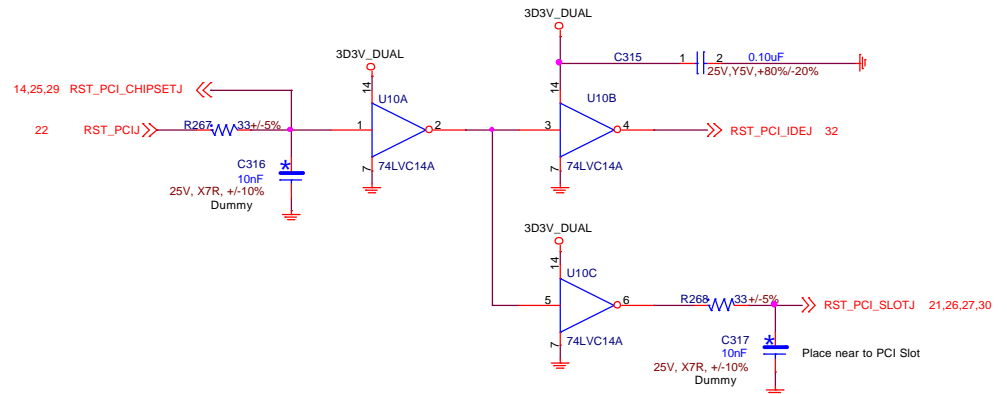
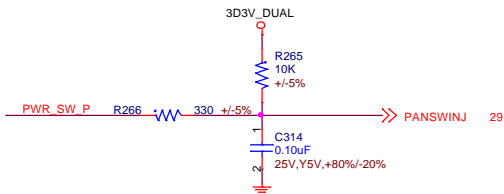
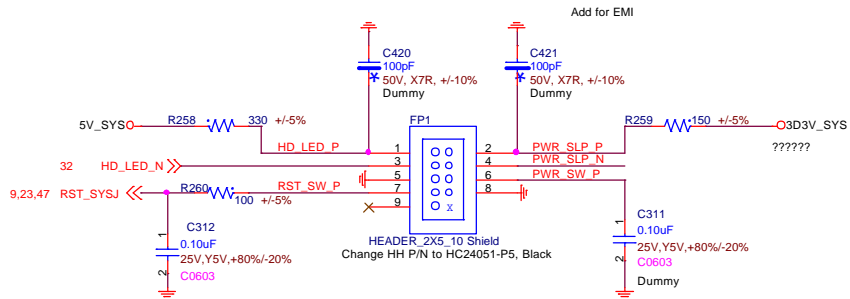


**FOXCONN PCEG**

Title: USB4,5 & COM2

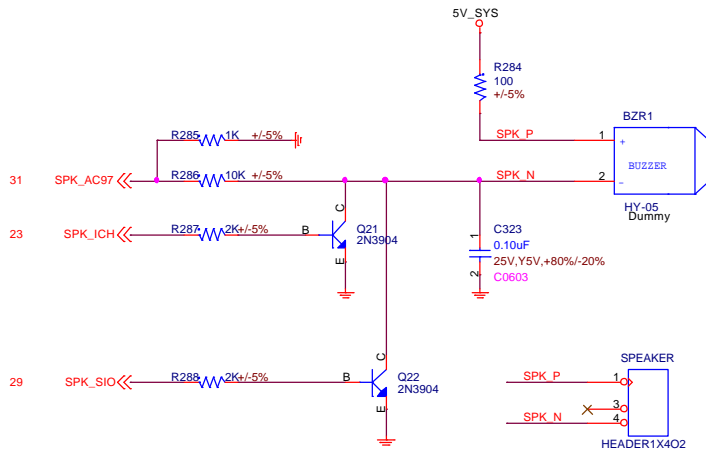
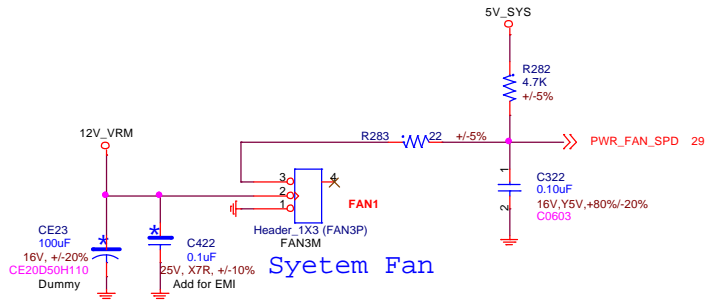
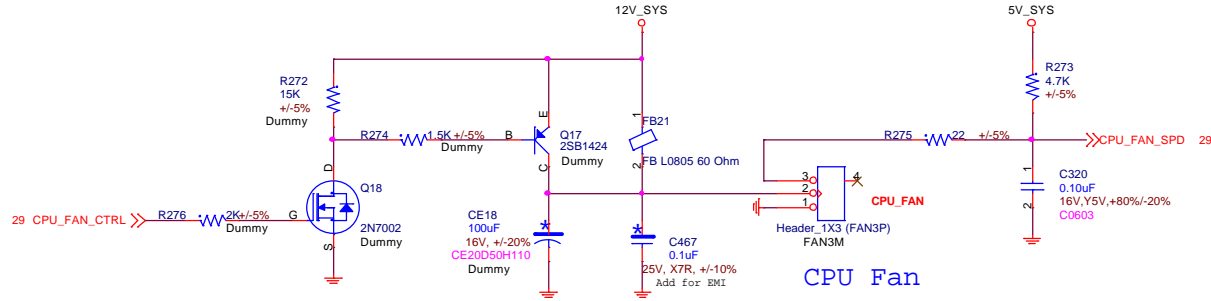
Size: Document Number TFB-S01 Rev A

Date: Tuesday, June 15, 2004 Sheet 38 of 48

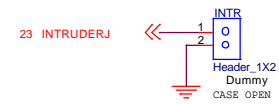


FOXCONN PCEG

Title			Front Panel & Reset
Size	Document Number	TFB-S01	
Date:	Tuesday, June 15, 2004	Sheet	39 of 48
		Rev	A



Case open detect



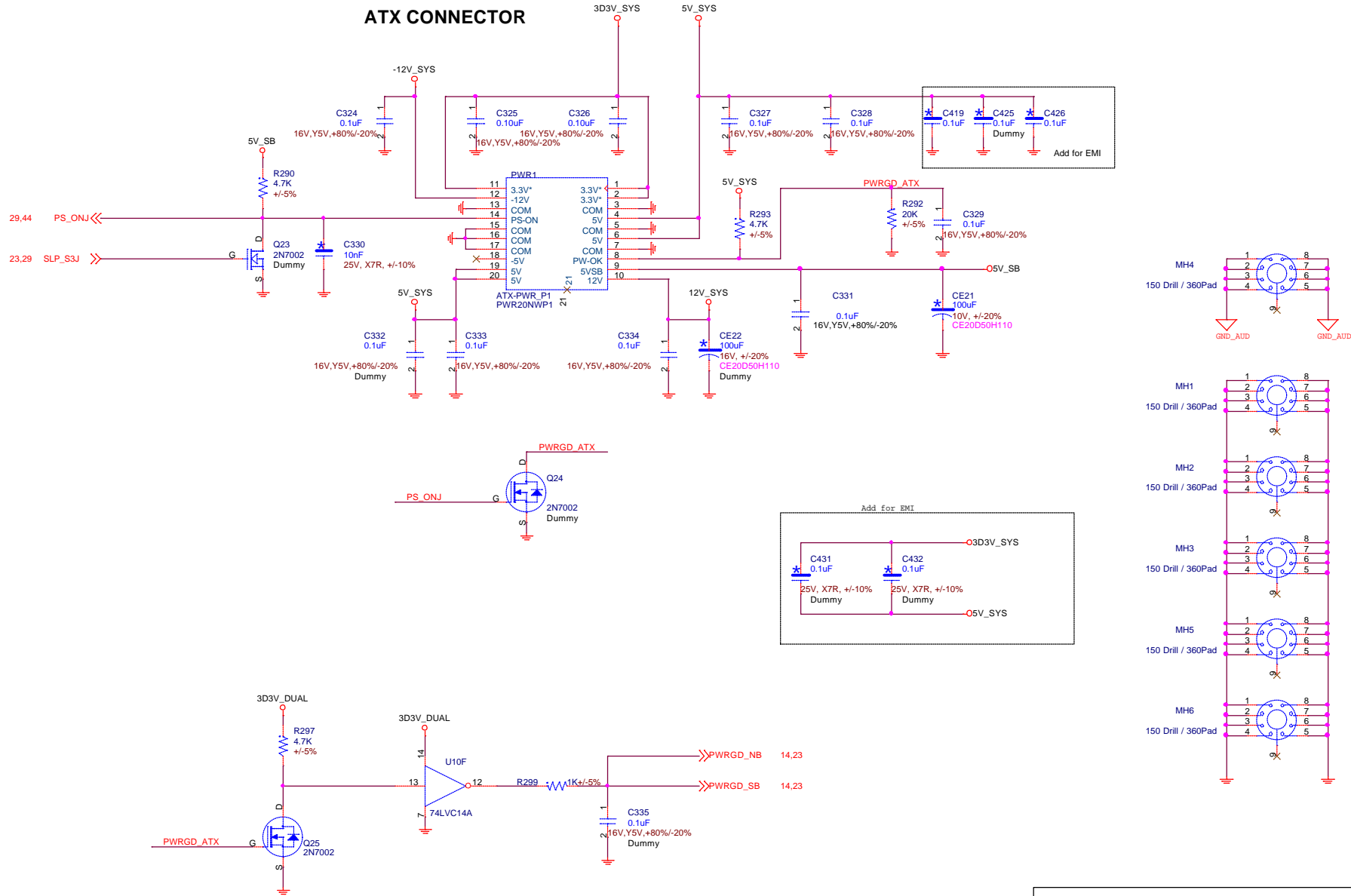
**FOXCONN**

**FOXCONN PCEG**

Title			Fans & SPK & IR
Size	Document Number	TFB-S01	
Date:	Tuesday, June 15, 2004	Sheet	40 of 48
		1	Rev A



# ATX CONNECTOR



**FOXCONN**<sup>®</sup>

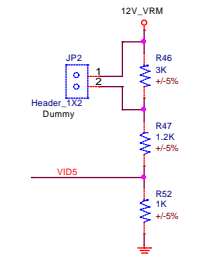
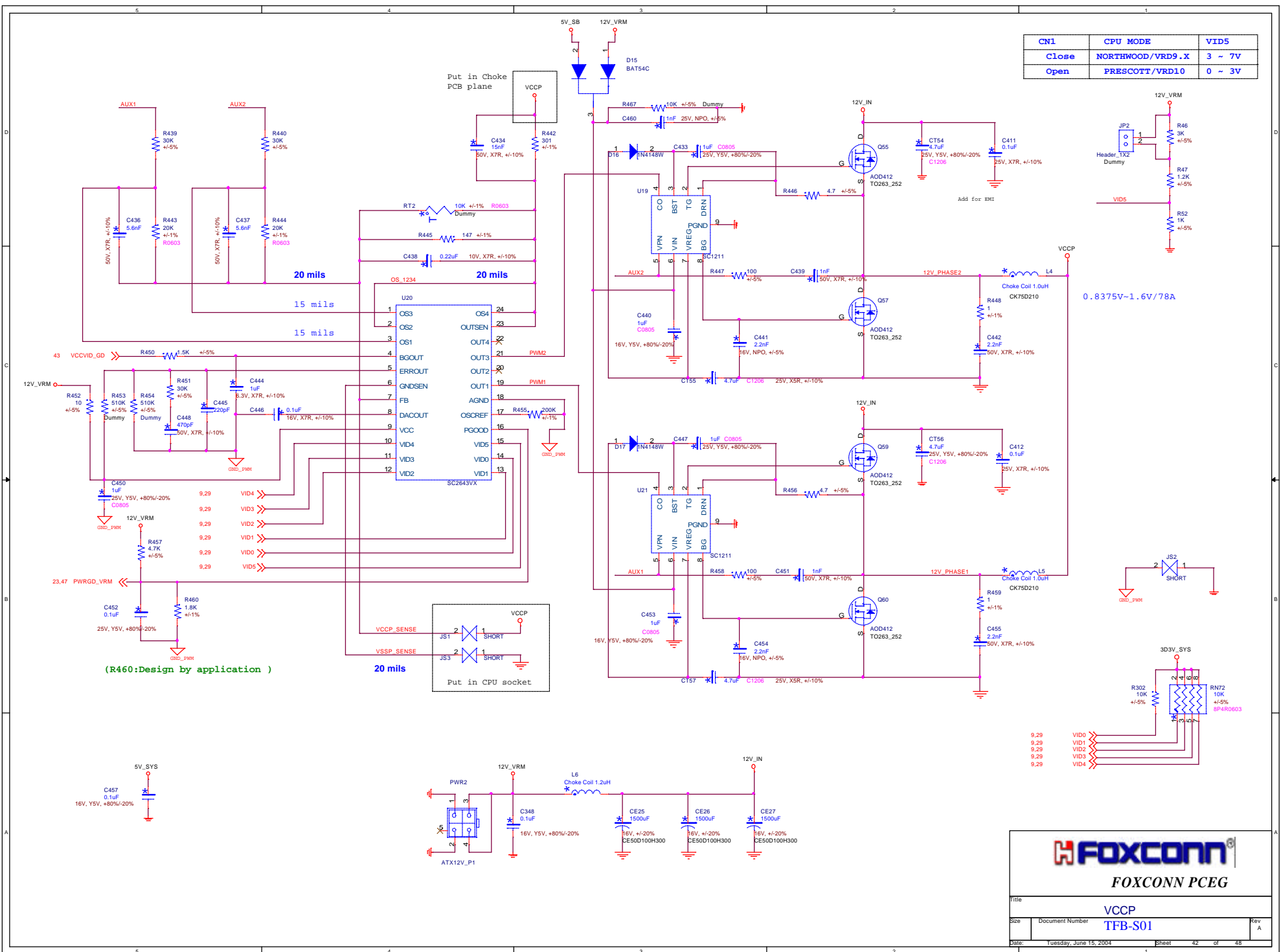
**FOXCONN PCEG**

Title: **ATX Power Connector**

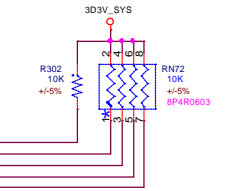
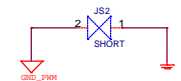
Size: Document Number **TFB-S01** Rev **A**

Date: Tuesday, June 15, 2004 Sheet 1 of 48

CN1	CPU MODE	VID5
Close	NORTHWOOD/VRD9.X	3 ~ 7V
Open	PRESCOTT/VRD10	0 ~ 3V



0.8375V~1.6V/78A



**FOXCONN**  
FOXCONN PCEG

Title	VCCP	
Size	Document Number	TFB-S01
Date	Tuesday, June 15, 2004	Sheet 42 of 48

(R460:Design by application)

Put in CPU socket

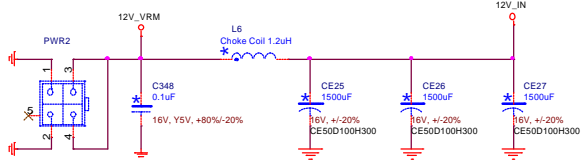
Put in Choke PCB plane

20 mils

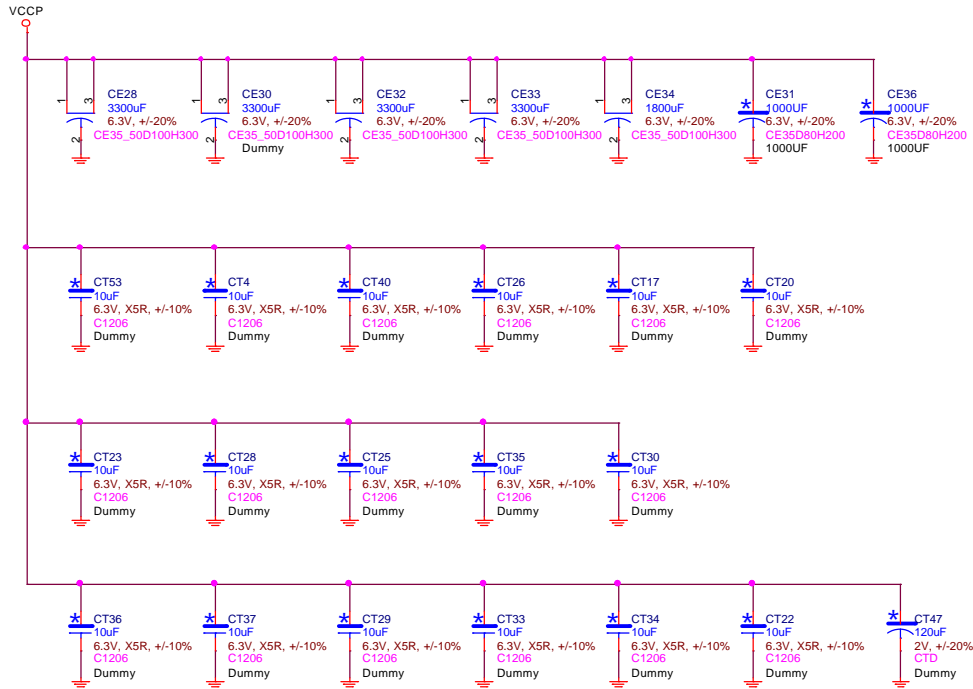
15 mils

15 mils

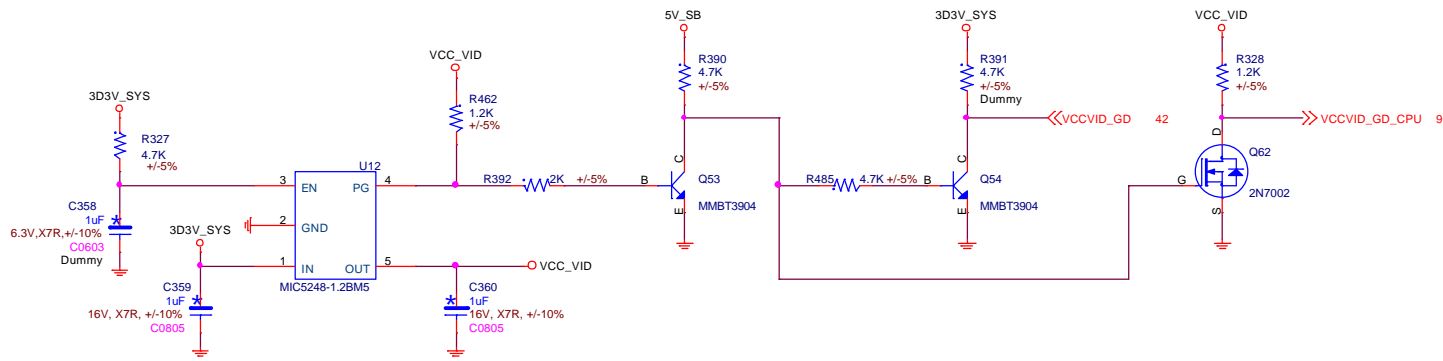
20 mils



- 9.29 VID0
- 9.29 VID1
- 9.29 VID2
- 9.29 VID3
- 9.29 VID4

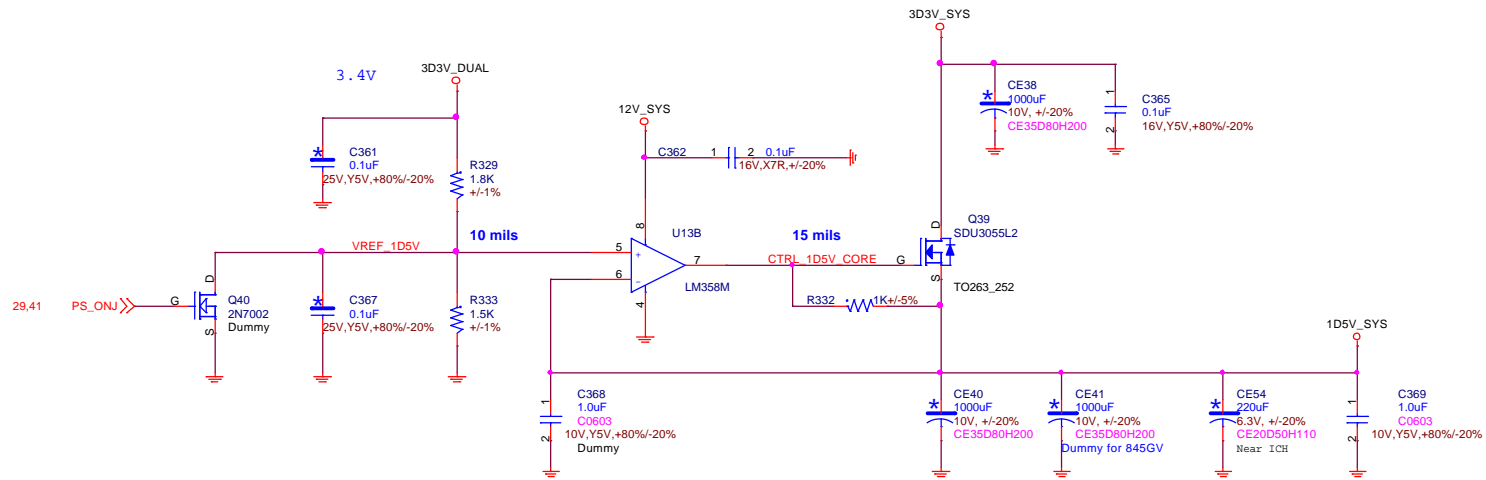


Just take its size for placement now  
need to change in the final version



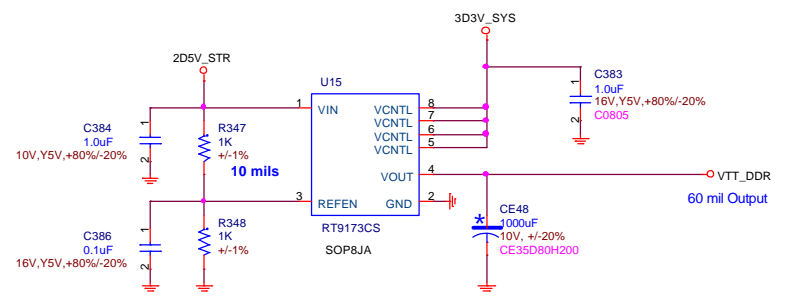
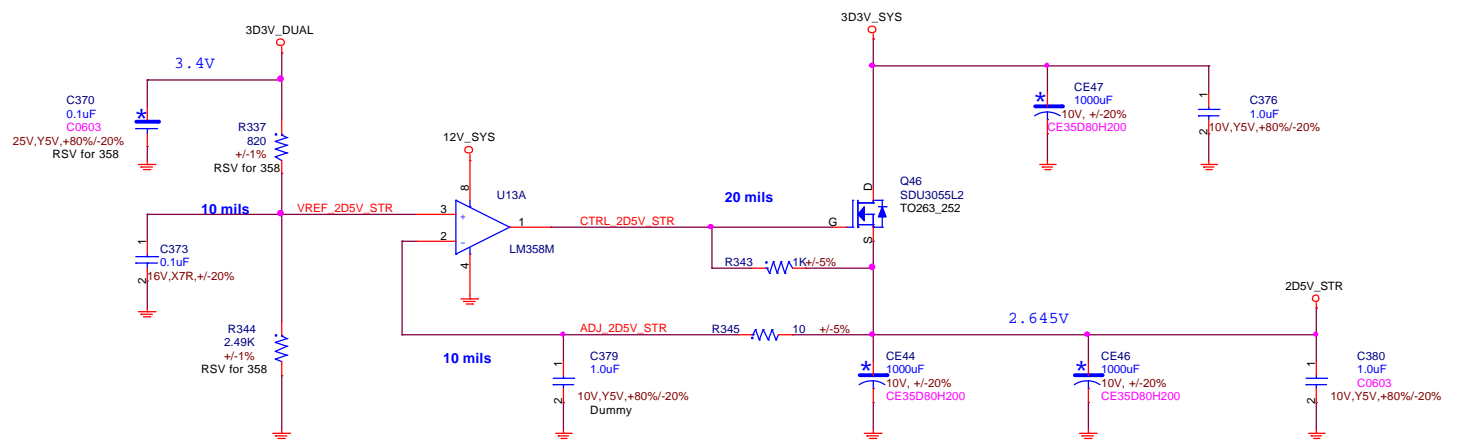
FOXCONN PCEG

Title			VCCP CAP & VCC_VID
Size	Document Number	TFB-S01	
Date:	Tuesday, June 15, 2004	Sheet	43 of 48
		Rev	A



FOXCONN PCEG

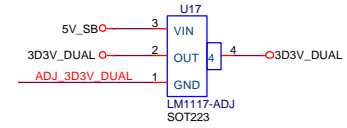
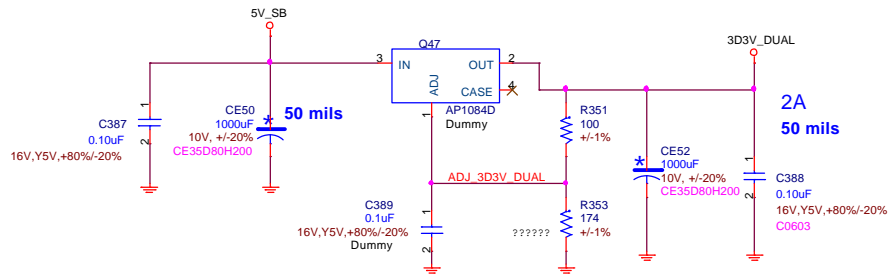
Title			1D5V_SYS
Size	Document Number	TFB-S01	
		Rev	A
Date:	Tuesday, June 15, 2004	Sheet	44 of 48



FOXCONN PCEG

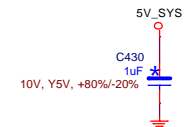
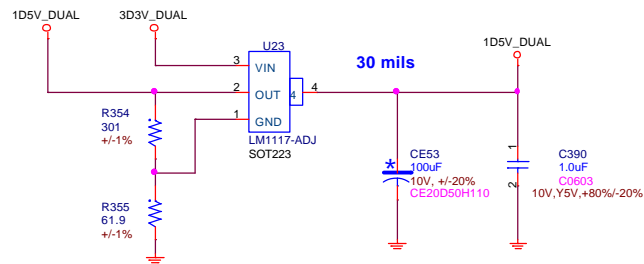
Title			2D5V_STR & VTT_DDR
Size	Document Number	TFB-S01	
		Rev	A
Date:	Tuesday, June 15, 2004	Sheet	45 of 48

### 5V\_DUAL TRANS TO 3D3V\_DUAL



If R353 = 174, 3V\_DUAL = 3.43V;  
 If R353 = 169, 3V\_DUAL = 3.37V.

### 3D3V\_DUAL TRANS TO 1D5V\_DUAL

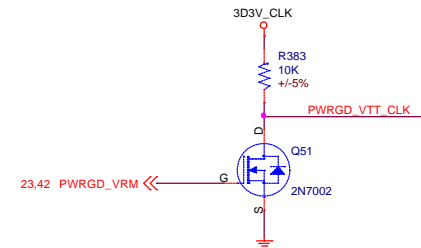
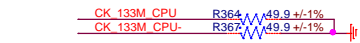
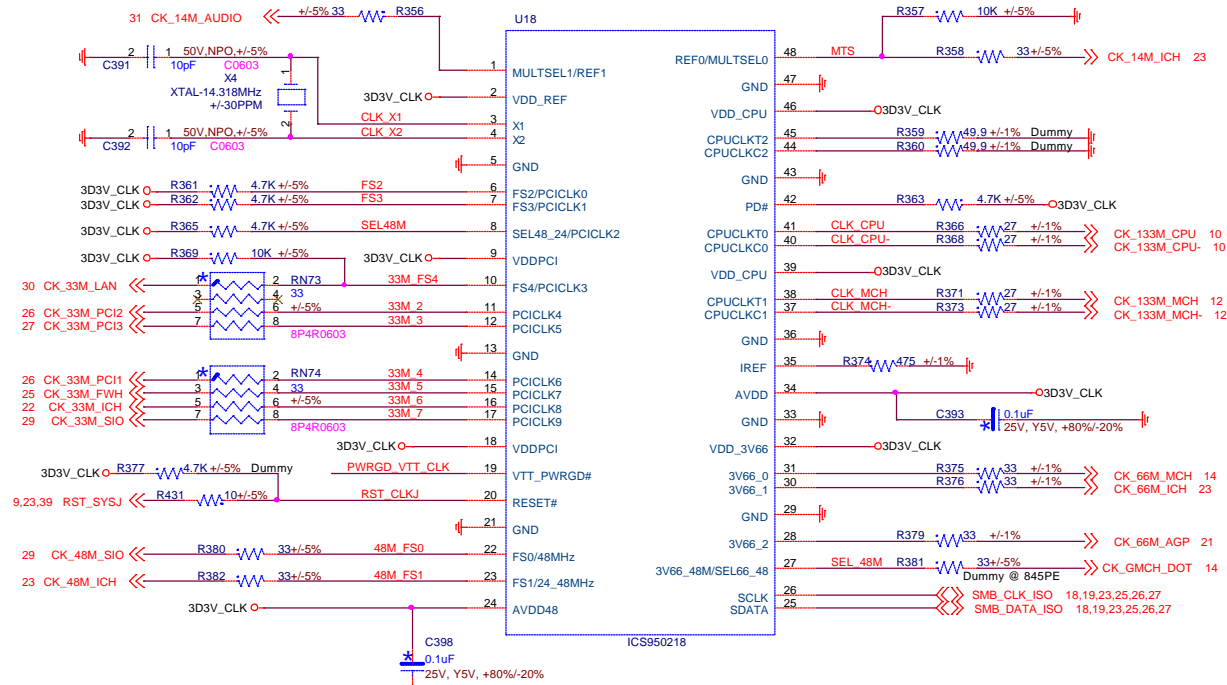


FOXCONN PCEG

Title 5V\_DUAL, 3D3V\_DUAL

Size Document Number TFB-S01 Rev A

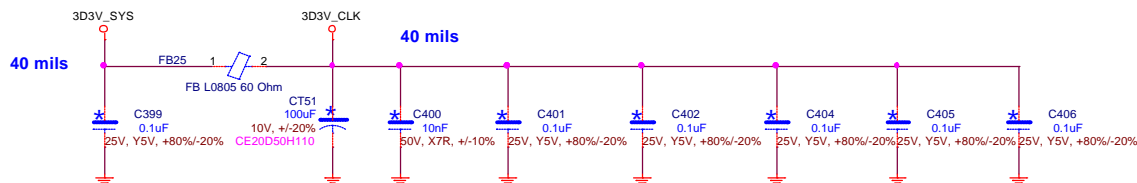
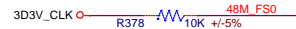
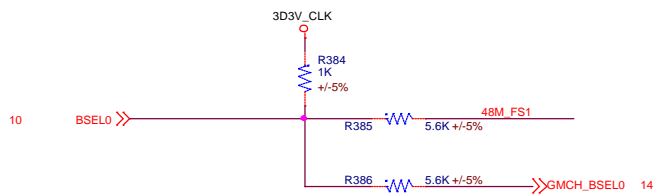
Date: Tuesday, June 15, 2004 Sheet 46 of 48



Note : Jumper setting  
pin 1-2 FREQUENCY SET BY HARDWARE  
pin 2-3 FREQUENCY SET BY CPU BSELO

FS1	Function
0	FSB 1.00 MHz
1	FSB 1.33 MHz

	CPU : BSELO	CLK : FS1
100M	0	0
133M	1	1



**FOXCONN**  
**FOXCONN PCEG**

Title: Clock Generator

Size: Document Number TFB-S01 Rev A

Date: Tuesday, June 15, 2004 Sheet 47 of 48

Date	Page	Modification(VerB--Ver 1.0)



FOXCONN PCEG

Title Modify List 1

Size Document Number TFB-S01 Rev A